

Vivez l'expérience

MAAX[®]

Enjoy the experience

MAAX SUBMITTAL SPECIFICATIONS

Stamina 60-I (1-Piece)

MODEL NUMBER 101141

DIMENSIONS: 60" x 36" x 85" Acrylic

IES IES



STANDARD FEATURES

- Customize the shower: specify seat + footrest OR 2 seats
- Includes 12-in. acrylic grab bar For White, Bone or Biscuit shower, grab bar is color-coordinated. For all other shower colors, please specify grab bar color (Chrome, Polished Brass or Brushed Nickel) without extra charge, see accessories.
- soap dishes
- Integrated shelves with Chrome, Polished Brass or Brushed Nickel guardrail Please specify guardrail color (Chrome, Polished Brass or Brushed Nickel).
- Optional: roof halogen light (recommended)

OPTIONS

- Halogen light
- One 12-in. metal grab bar
- Recessed light
- 2-piece ABS shower drain with Chrome stainless steel grid
- ABS shower drain with ABS grid, White or Bone
- PVC quick caulking shower drain with Polished Brass grid

UNIQUE FEATURES

- None

SYSTEMS

IES MAAX IES 1/2

IES MAAX IES 3/4

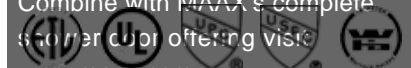
CERTIFICATIONS

Maax products adhere to one or more of the following certifications:

Combine with MAAX's complete

store cup offering visit

www.maax.com



Project :

Contractor :

MAAX Representative : Tel :

Date :

www.maax.com

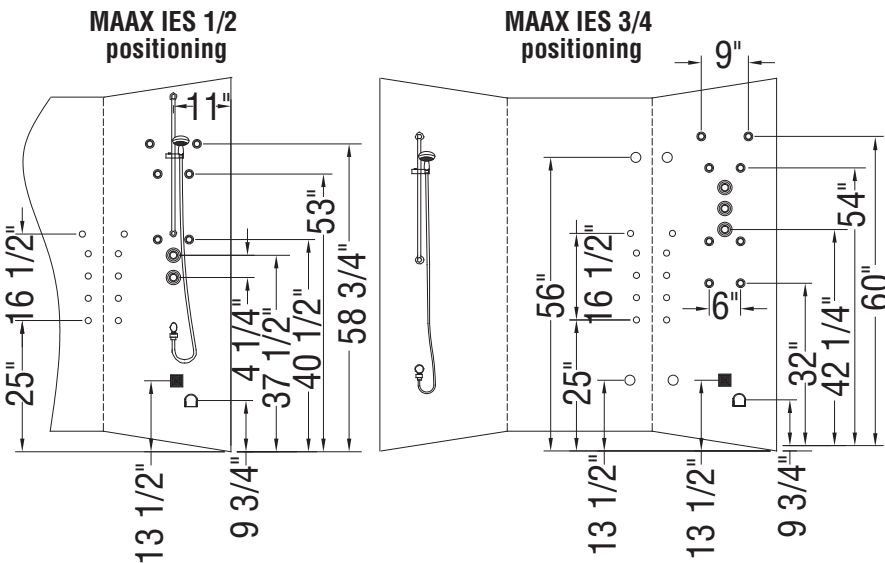
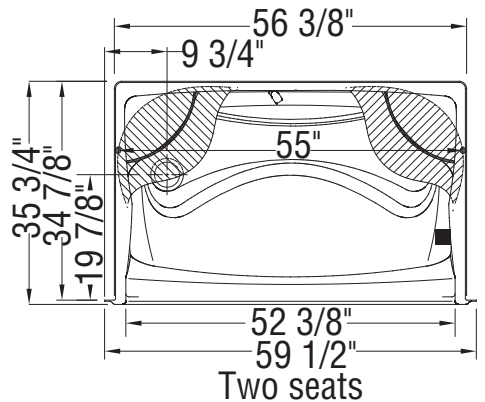
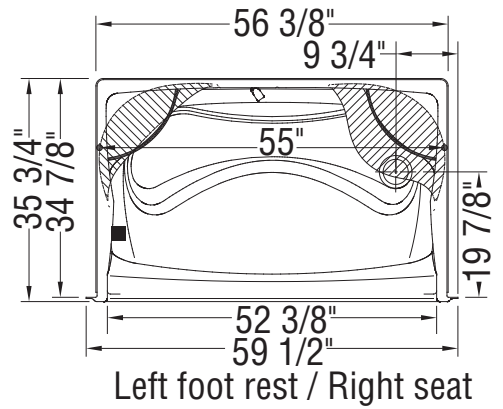
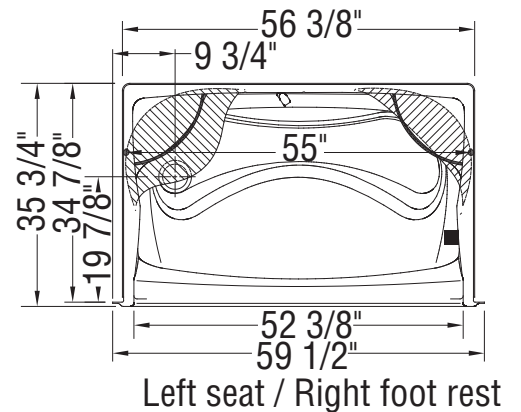
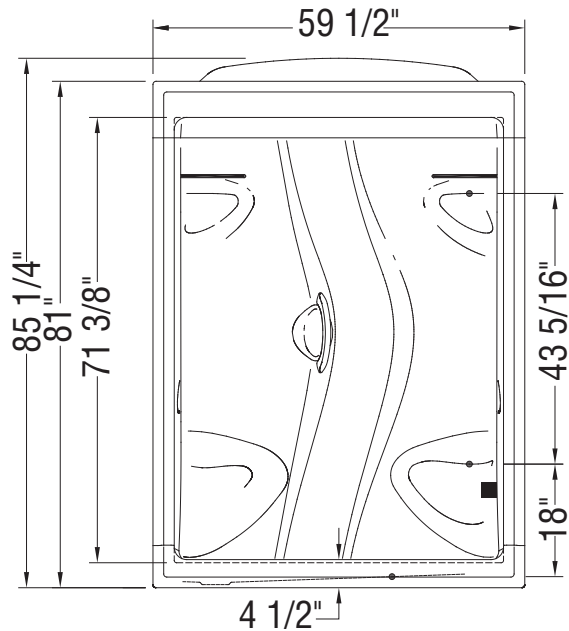
2014-03-12

MAAX SUBMITTAL SPECIFICATIONS

Stamina 60-I (1-Piece)

MODEL NUMBER 101141

TECHNICAL DRAWINGS



(■): Indicates Steamax nozzle positioning

Plane surface for the installation of the valve 8-in. diameter

All dimensions are approximate. Structure measurements must be verified against the unit to ensure proper fit.

With a right-hand drain the Steamax nozzle will be positioned on the left.