

# MAAX SUBMITTAL SPECIFICATIONS

## Topaz 6636

**MODEL NUMBER 101056**

DIMENSIONS: 66" x 36" x 21" Acrylic



### STANDARD FEATURES

- Charming, traditional, functional tub
- Relaxing armrests
- ergonomic backrest
- textured bottom
- Includes 2 6-in. grab bars
- End drain
- 1 bathtub, 3 installations: drop-in, alcove or undermount
- Apron available

### OPTIONS

- Removable acrylic apron
- Thermo-Acoustic system
- Metal trim kit for whirlpool and combined systems
- 
- 
- Tiling flange

### UNIQUE FEATURES

- None

### SYSTEMS

- Aerofeel Chromotherapy
- Combined Aerofeel/Hydromax
- Hydromax Hydromax REST
- Hydromax with Backmax
- Ozonator

### DOOR SELECTION

Combine with MAAX's complete shower door offering visit [www.maax.com](http://www.maax.com)

### CERTIFICATIONS

Maax products adhere to one or more of the following certifications:



Project : .....

Contractor : .....

MAAX Representative : ..... Tel : .....

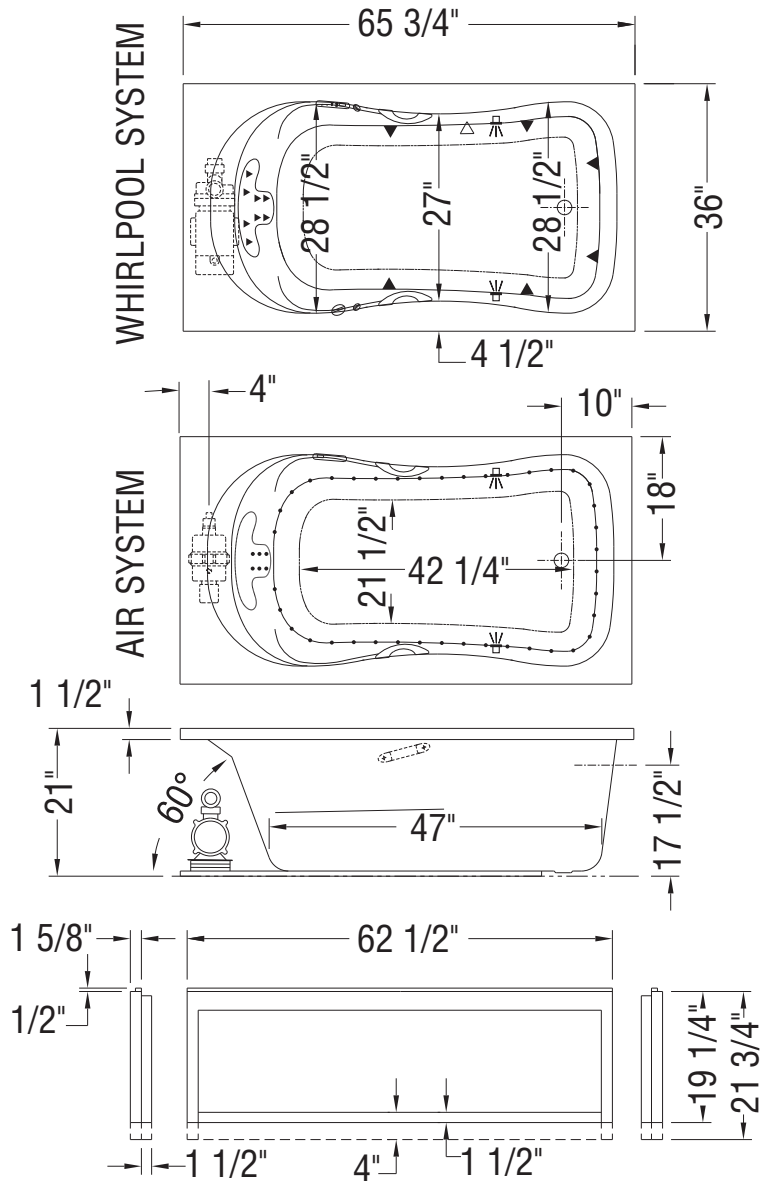
Date : .....

# MAAX SUBMITTAL SPECIFICATIONS

## Topaz 6636

MODEL NUMBER 101056

### TECHNICAL DRAWINGS



- ( ▲ ): Indicates whirlpool jets positioning
  - ( △ ): Indicates suction positioning
  - ( ● ): Indicates airjets positioning
  - ( — ): Indicates standard grab bar positioning
  - ( ✎ ): Indicates chromatherapy light positioning
- Bathtub base includes anti-vibration Neutra-Phone leg supports (not shown).  
**All dimensions are approximate. Structure measurements must be verified against the unit to ensure proper fit.**