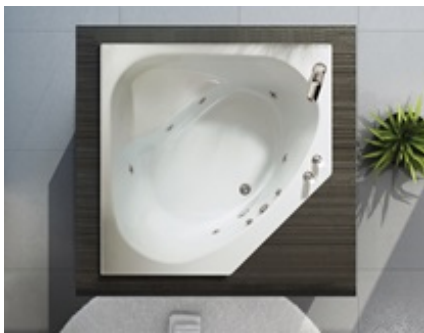


MAAX SUBMITTAL SPECIFICATIONS

Tandem 5454

MODEL NUMBER 100875

DIMENSIONS: 54" x 54" x 21" Acrylic



STANDARD FEATURES

- Corner shape bathtub
- Drop-in or corner installation (optional nailing flange available)
- Textured floor
- Center drain
- Apron available




OPTIONS

- Acrylic apron
- One chromatherapy light
- Water heater assembly (factory installed)
- Metal trim kit for whirlpool and combined systems
- One 6-in. acrylic grab bar
- Metal trim kit for Air Push Control

UNIQUE FEATURES

- None

SYSTEMS

-  MAAX Professional Whirlpool
-  Aeroeffect **DOOR**
-  Combined Whirlpool/Aeroeffect

SELECTION

Combine with MAAX's complete shower door offering visit www.maax.com

CERTIFICATIONS

Maax products adhere to one or more of the following certifications:



Project :

Contractor :

MAAX Representative : Tel :

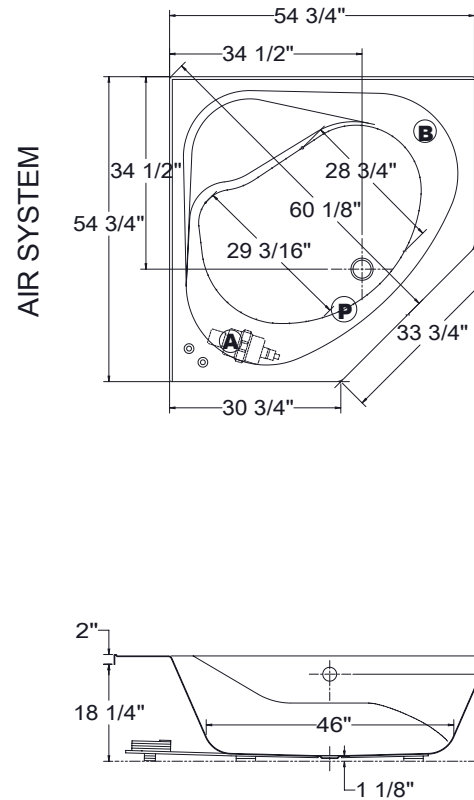
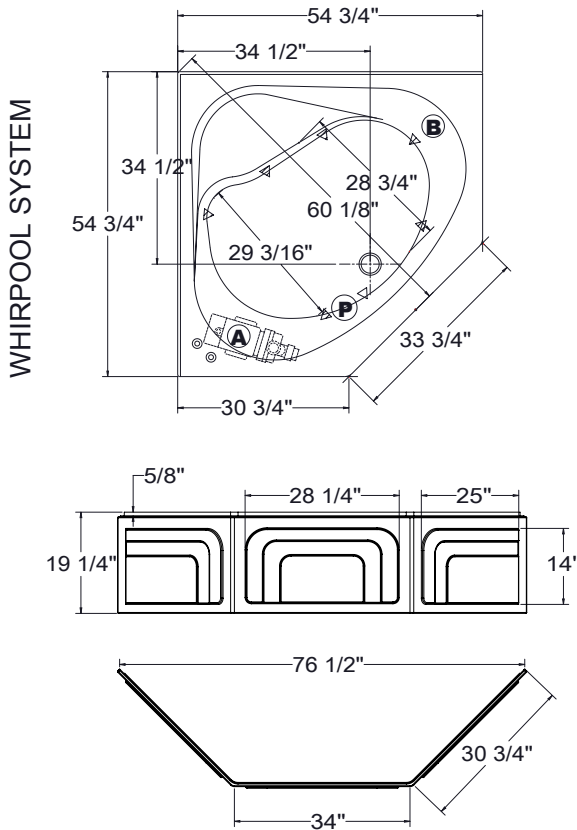
Date :

MAAX SUBMITTAL SPECIFICATIONS

Tandem 5454

MODEL NUMBER 100875

TECHNICAL DRAWINGS



- Ⓐ : Standard blower and/or pump location
- Ⓑ : Optional blower and/or pump location
- Ⓟ : Optional grab bar positioning
- ▲ : Indicates Whirpool jets positioning
- : Indicates airjets positioning
- △ : Indicates suction positioning

All dimensions are approximate. Structure measurements must be verified against the unit to ensure proper fit.