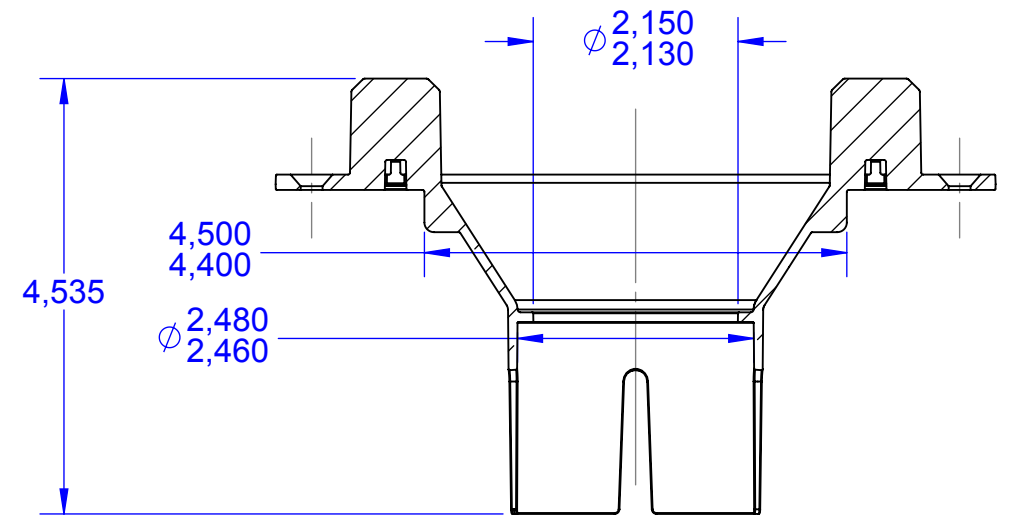
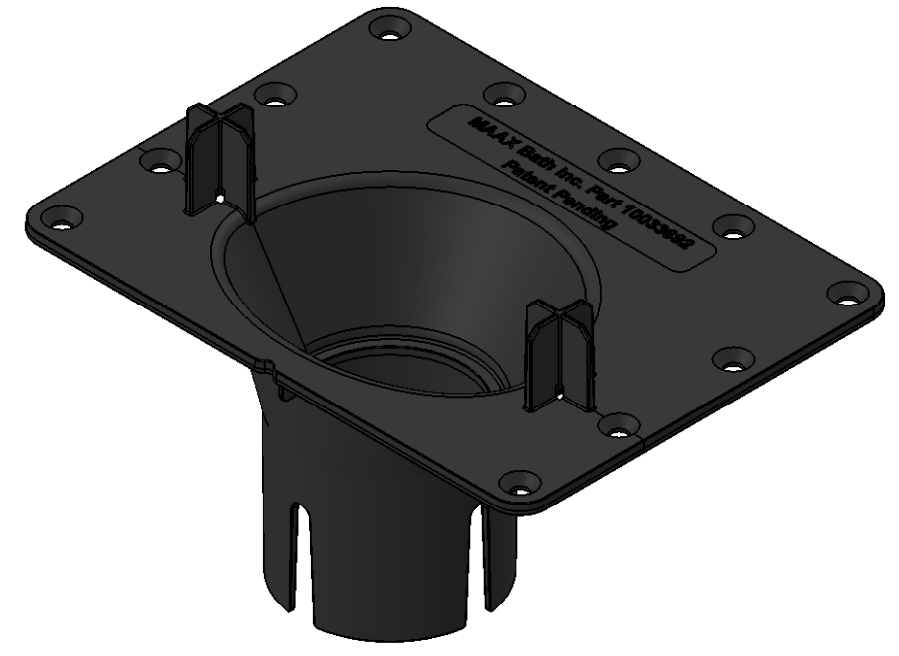
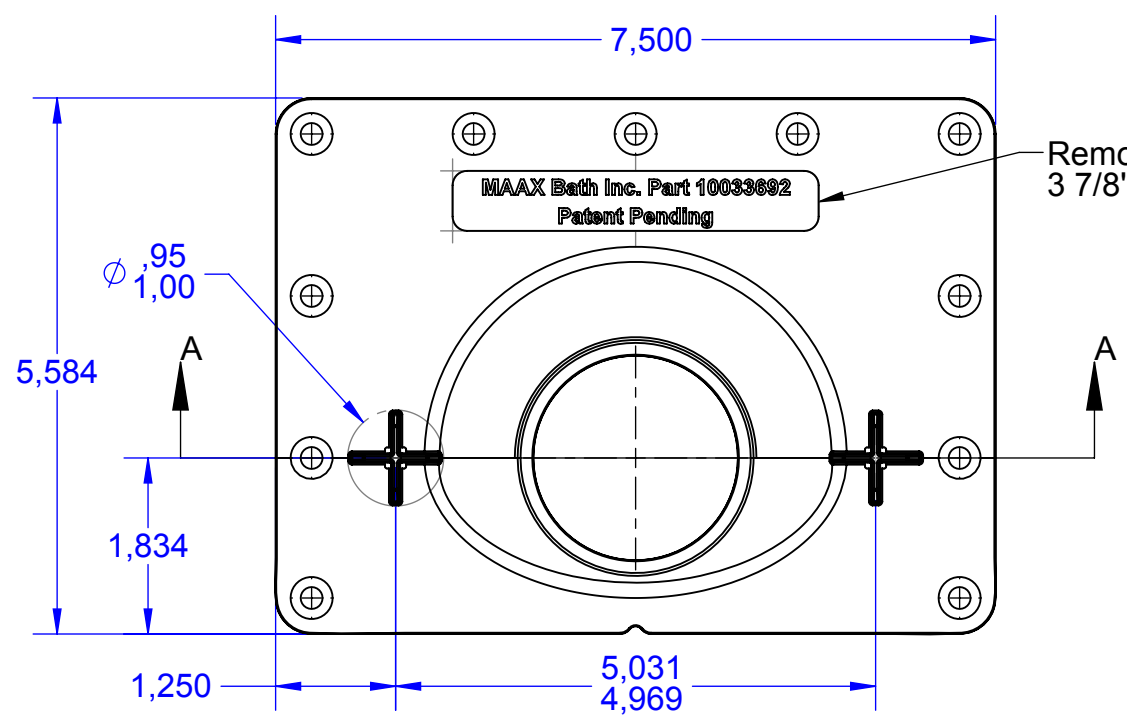
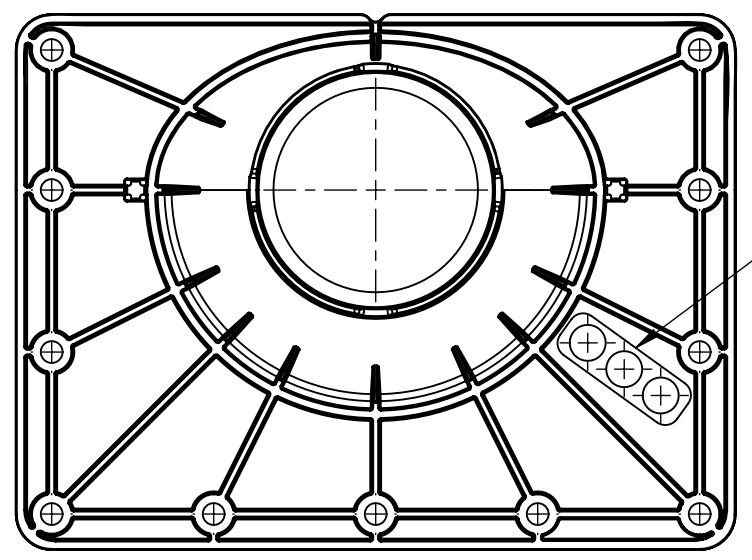


Specifications:
Material = Polypropylene



COUPE A-A



Date inserts
Locator

| REV | Disposition | MODIFICATION DESCRIPTION | BY | DATE |
|-----|-------------|---------------------------------|------|------------|
| 01 | N/A | Description change F2 DRAIN now | PGIG | 2014-05-07 |
| 00 | N/A | Émission-Issue data Card | PGIG | 2013-12-17 |

| GENERAL TOLERANCES (Unless otherwise specified) | |
|--|---------------|
| INCHES | MM |
| X.X ±1/8 | ±3 |
| X.XX ±0.125 | ±3 |
| X.XXX ±0.06 | ±1.5 |
| X.XXX ±0.031 | ±0.79 |
| X.X* | ±0.5* |
| Max. Radi | ±0.015 ±0.035 |

| TITLE: FLANGE FOR F2 DRAIN (BATHTUB) | | |
|--------------------------------------|------------|------------------------|
| NAME | DATE | |
| DRAWN BY: Giguère Pier-Luc | 2014-05-07 | |
| APPROVED BY: Robert Steeven | 2014-05-14 | |
| SHEET 1 OF 1 | | FORMAT: B SCALE: 1:2 |

DWG. # 10033692 REV: 01

