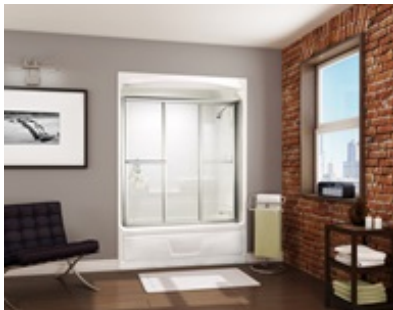


MAAX SUBMITTAL SPECIFICATIONS

Discontinued - Studio (3-Piece)

MODEL NUMBER 100099

DIMENSIONS: 62" x 32" x 84" Acrylic



Project :

Contractor :

MAAX Representative : Tel :

Date :

www.maax.com

Vivez l'expérience
MAAX[®]
Enjoy the experience

STANDARD FEATURES

- 3-piece tub shower
- including
- roof cap
- Sectional unit ideal for renovation projects
- Built-in shelves, soap dish, towel bar
- Access panel available with massage system. IES or Hydromax system available
- Optional: roof halogen light (recommended)

OPTIONS

- Thermo-Acoustic system
- Water heater
- White foam cushion
- Recessed light
- Metal trim kit
- One chromotherapy light

UNIQUE FEATURES

- None

SYSTEMS

- Chromotherapy
- Hydromax
- Hydromax REST
- MAAX IES 1/2
- Ozonator

DOOR SELECTION

Combine with MAAX's complete shower door offering visit www.maax.com

CERTIFICATIONS

Maax products adhere to one or more of the following certifications:



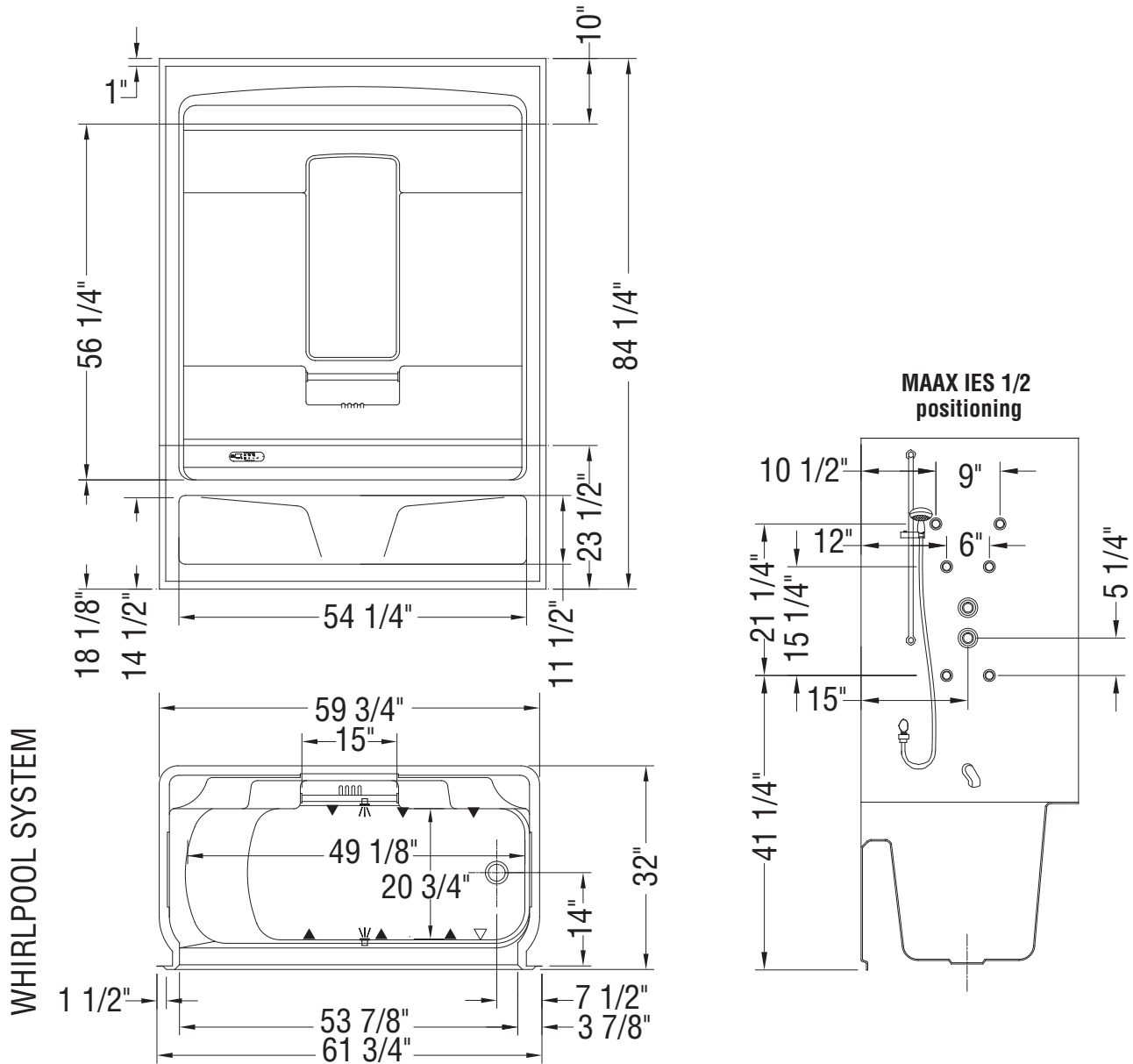
2014-04-22

MAAX SUBMITTAL SPECIFICATIONS

Discontinued - Studio (3-Piece)

MODEL NUMBER 100099

TECHNICAL DRAWINGS



(▲): Indicates whirlpool jets positioning

(△): Indicates backjets positioning

(♪): Indicates chromatherapy light positioning

Bathtub base includes anti-vibration Neutra-Phone leg supports (not shown).

All dimensions are approximate. Structure measurements must be verified against the unit to ensure proper fit.