

# MAAX SUBMITTAL SPECIFICATIONS

## Souvenir With Apron

**MODEL NUMBER 100084**

DIMENSIONS: 72" x 44" x 25" Acrylic



### STANDARD FEATURES

- Comfortable, ergonomic design with relaxing armrests
- Cushion with a chrome-plated support and towel bar included 19
- Ample deck space for faucet installation
- Freestanding installation with center drain
- Air and whirlpool massage systems available
- Optional solid maple wood storage unit hides pump and/or blower

### OPTIONS

- Natural storage cabinet
- Additional towel bar
- Metal trim kit for whirlpool and combined systems
- One decorative cushion support
- Access panel
- Chestnut storage cabinet

### UNIQUE FEATURES

- None

### SYSTEMS

- Aerofeel Chromatherapy
- Combined Aerofeel/Hydromax
- Hydromax Hydromax REST
- Ozonator

### CERTIFICATIONS

Maax products adhere to one or more of the following certifications:



Project : .....

Contractor : .....

MAAX Representative : ..... Tel : .....

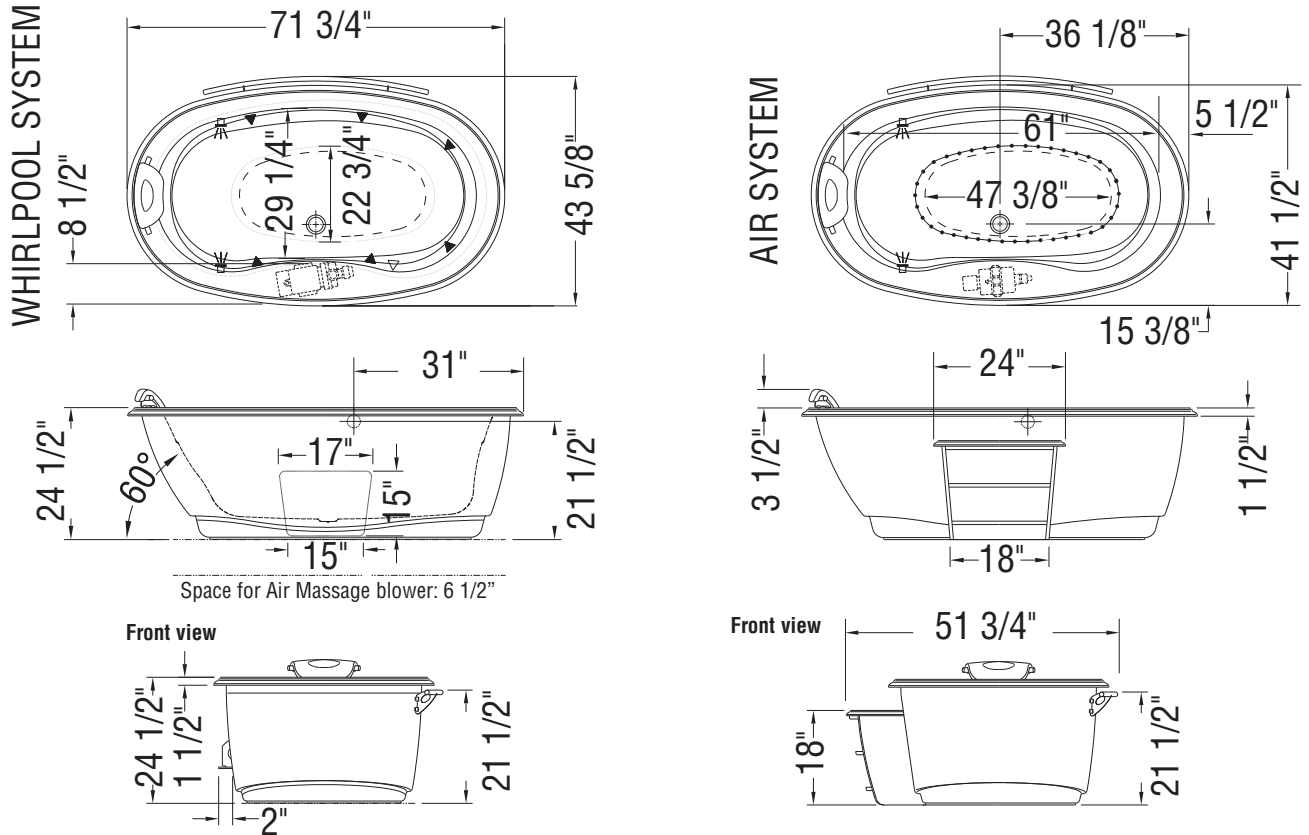
Date : .....

# MAAX SUBMITTAL SPECIFICATIONS

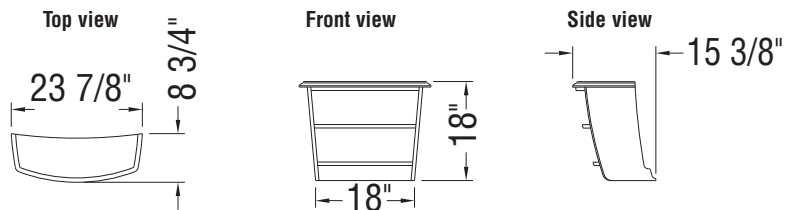
## Souvenir With Apron

MODEL NUMBER 100084

### TECHNICAL DRAWINGS



Technical drawings of the storage cabinet



- ( ▲ ): Indicates whirlpool jets positioning
  - ( △ ): Indicates suction positioning
  - ( ● ): Indicates airjets positioning
  - ( ♫ ): Indicates chromatherapy light positioning
- Blower must be installed at a distance  
 Bathtub base includes anti-vibration Neutra-Phone leg supports (not shown).  
**All dimensions are approximate. Structure measurements must be verified against the unit to ensure proper fit.**