

# MAAX SUBMITTAL SPECIFICATIONS

## Tryst

**MODEL NUMBER 100053**

DIMENSIONS: 59" x 59" x 20" Acrylic



Vivez l'expérience  
**MAAX**<sup>®</sup>  
Enjoy the experience

### STANDARD FEATURES

- Corner shape bathtub
- Drop-in or corner installation
- Integrated armrest and textured floor
- Center drain
- Apron and nailing flange available




### OPTIONS

- Acrylic apron without access panel
- Nailing flange
- One chromotherapy light
- Water heater assembly (factory installed)
- Metal trim kit for whirlpool and combined systems
- Metal trim kit for Air Push Control

### UNIQUE FEATURES

- Tiling Flange

### SYSTEMS

-  MAAX Professional Whirlpool
-  Aeroeffect **DOOR**
-  Combined Whirlpool/Aeroeffect

### SELECTION

Combine with MAAX's complete shower door offering visit [www.maax.com](http://www.maax.com)

### CERTIFICATIONS

Maax products adhere to one or more of the following certifications:



Project : .....  
Contractor : .....  
MAAX Representative : ..... Tel : .....  
Date : .....

[www.maax.com](http://www.maax.com)

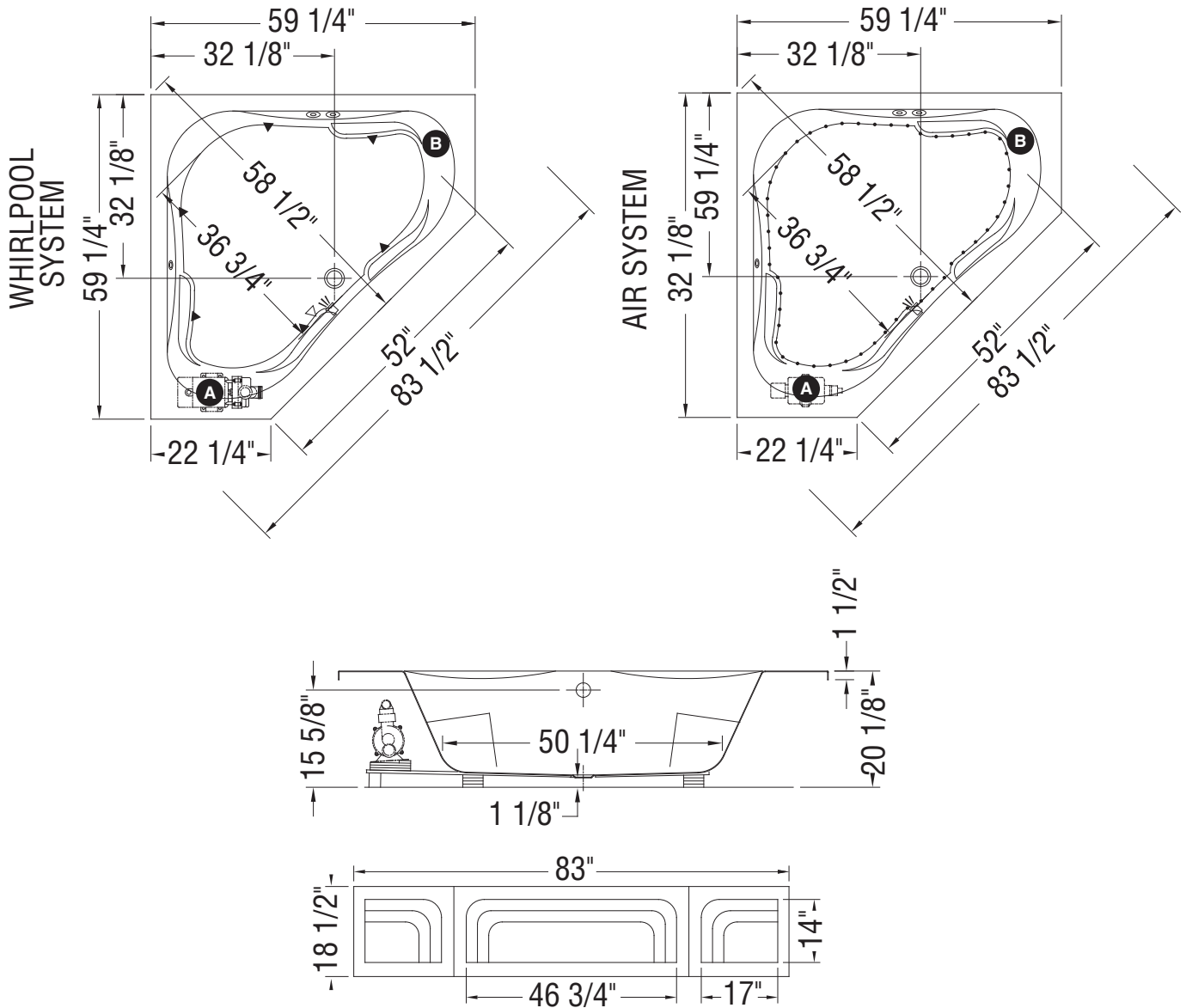
2017-04-26

# MAAX SUBMITTAL SPECIFICATIONS

## Tryst

MODEL NUMBER 100053

### TECHNICAL DRAWINGS



- ( A ) : Standard blower and/or pump location
- ( B ) : Optional blower and/or pump location
- ( ▲ ) : Indicates Whirlpool jets positioning
- ( ● ) : Indicates airjets positioning
- ( △ ) : Indicates suction positioning
- ( 📡 ) : Indicates chromatherapy light positioning

All dimensions are approximate. Structure measurements must be verified against the unit to ensure proper fit.