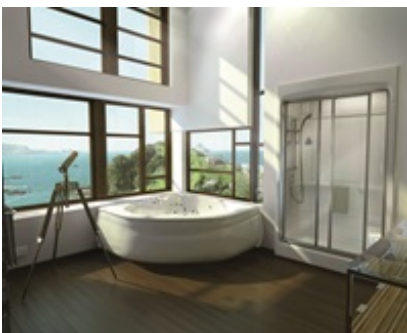


MAAX SUBMITTAL SPECIFICATIONS

Kashmir

MODEL NUMBER 100041

DIMENSIONS: 60" x 60" x 25" Acrylic



STANDARD FEATURES

- Fit for 2: deep and roomy
- Relaxing armrests with ergonomic backrest
- Deck for faucet and bi-level bottom
- Drop-in installation with off-center drain
- White or Biscuit cushion and cut-out template included
- Apron and tiling flange available

OPTIONS

- Thermo-Acoustic system
- Metal trim kit for Aerofeel
- Tiling flange
- Foam cushion
- Removable acrylic apron
- Metal trim kit for whirlpool and combined systems

UNIQUE FEATURES

- None

SYSTEMS

- Aerofeel Chromatherapy
- Combined Aerofeel/Hydromax
- Hydromax Hydromax REST
- Hydromax with Backmax
- Ozonator

DOOR SELECTION

Combine with MAAX's complete shower door offering visit www.maax.com

CERTIFICATIONS

Maax products adhere to one or more of the following certifications:



Project :

Contractor :

MAAX Representative : Tel :

Date :

MAAX SUBMITTAL SPECIFICATIONS

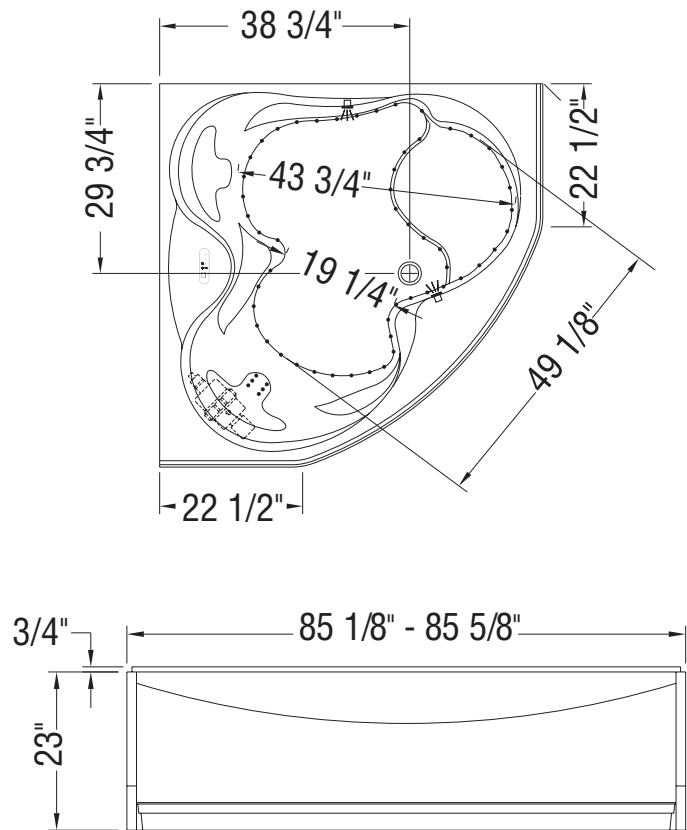
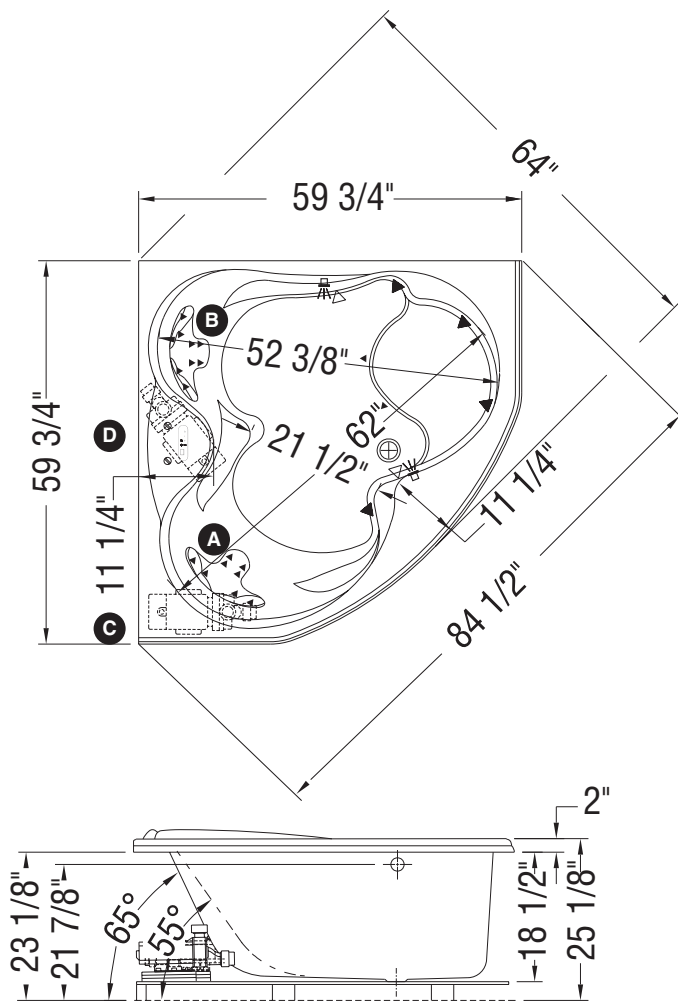
Kashmir

MODEL NUMBER 100041

TECHNICAL DRAWINGS

WHIRLPOOL SYSTEM

AIR SYSTEM



- (▲): Indicates whirlpool jets positioning
- (△): Indicates suction positioning
- (●): Indicates airjets positioning
- (✨): Indicates chromatherapy light positioning
- (A): Location of the Backmax system
- (B): Location of an additional Backmax system
- (C): Standard pump location
- (D): Second pump location (only when equipped with additional Backmax system)

Bathtub base includes anti-vibration Neutra-Phone leg supports (not shown).

All dimensions are approximate. Structure measurements must be verified against the unit to ensure proper fit.