

Control Boxes for 4" Submersible Well Pumps



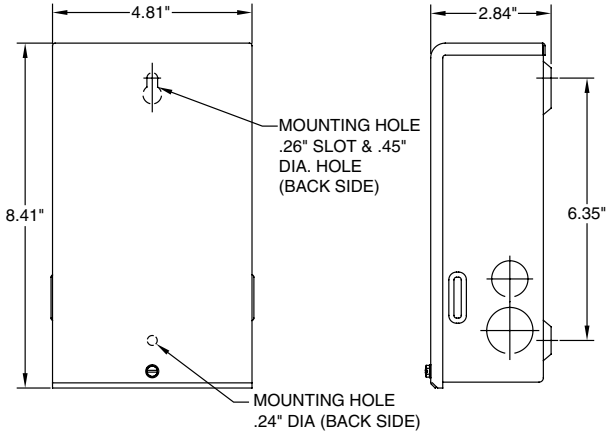
Applications:

- These control boxes are designed for use with our 3-wire, single-phase submersible deep well pumps.

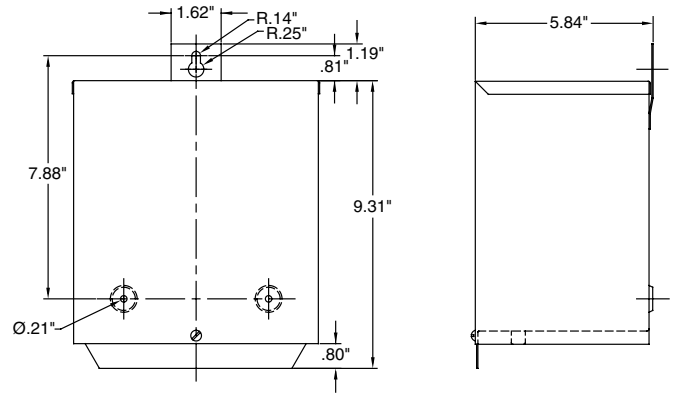
Features:

- Suitable for outdoor mounting
- Rain-tight, two-piece enclosure (NEMA 3R, IP23)
- Quick Disconnect control box is equipped with Franklin Electric exclusive QD relay
- Capacitor start/capacitor run design (except QD Box)
- UL 778 recognized and CSA certified for 60Hz
- Standard capacitor control box includes overloads, relays and capacitors

Dimensional Outline



Quick Disconnect & Capacitor Run Control Box



Standard Capacitor Start Capacitor Run Control Box

Engineering Data

Quick Disconnect Control Boxes (QD)				Capacitor Run Control Box (CRC)				Standard Capacitor Start Capacitor Run Control Box			
Item No.	HP	Recommended For Pump Item Model		Item No.	HP	Recommended For Pump Item Model		Item No.	HP	Recommended For Pump Item Model	
558814	1/2	558554	W5G05S13-32P	558815	1/2	558554	W5G05S13-32P	558842	1-1/2	558572	W12G15S17-32P
	1/2	558561	W8G05S9-32P		1/2	558561	W8G05S9-32P			558596	W12G15S17-32S
	1/2	558569	W12G05S7-32P		1/2	558569	W12G05S7-32P				
	1/2	558578	W5G05S13-32S		1/2	558578	W5G05S13-32S				
	1/2	558585	W8G05S9-32S		1/2	558585	W8G05S9-32S				
	1/2	558593	W12G05S7-32S		1/2	558593	W12G05S7-32S				
558823	3/4	558555	W5G07S18-32P	558824	3/4	558555	W5G07S18-32P				
	3/4	558562	W8G07S12-32P		3/4	558562	W8G07S12-32P				
	3/4	558570	W12G07S9-32P		3/4	558570	W12G07S9-32P				
	3/4	558579	W5G07S18-32S		3/4	558579	W5G07S18-32S				
	3/4	558586	W8G07S12-32S		3/4	558586	W8G07S12-32S				
	3/4	558594	W12G07S9-32S		3/4	558594	W12G07S9-32S				
558833	1	558556	W5G10S21-32P	558834	1	558556	W5G10S21-32P				
	1	558563	W8G10S15-32P		1	558563	W8G10S15-32P				
	1	558571	W12G10S12-32P		1	558571	W12G10S12-32P				
	1	558574	W22G10S7-32P		1	558574	W22G10S7-32P				
	1	558580	W5G10S21-32S		1	558580	W5G10S21-32S				
	1	558587	W8G10S15-32S		1	558587	W8G10S15-32S				
	1	558595	W12G10S12-32S		1	558595	W12G10S12-32S				
	1	558598	W22G10S7-32S		1	558598	W22G10S7-32S				

Item No.	Model No.	FE Item No.	HP	Volts	Wire	Weight/Lbs.
-	WC-QD05	2801044915	1/2	115	3	3
558814	WC-QD05	2801054915	1/2	230	3	3
558823	WC-QD07	2801074915	3/4	230	3	3
558833	WC-QD10	2801084915	1	230	3	3
558815	WC-CRC05	2824055015	1/2	230	3	5
558824	WC-CRC07	2824075015	3/4	230	3	5
558834	WC-CRC10	2824085015	1	230	3	5
558842	WC-CRC15	2823008110	1-1/2	230	3	7



P.O. Box 12010
Oklahoma City, OK 73157-2010
Phone: 1.800.701.7894
Fax: 1.800.678.7867
www.LittleGiantPump.com