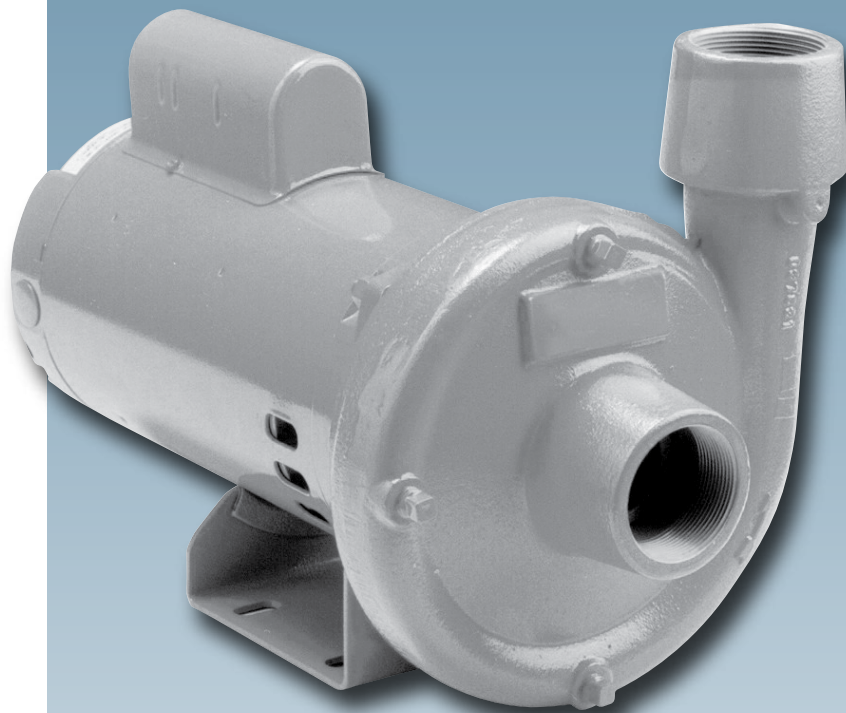


# Water Systems

## End Suction Centrifugal



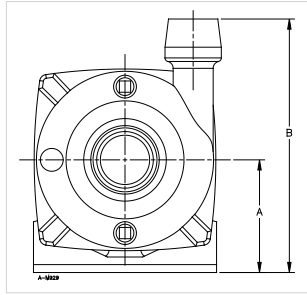
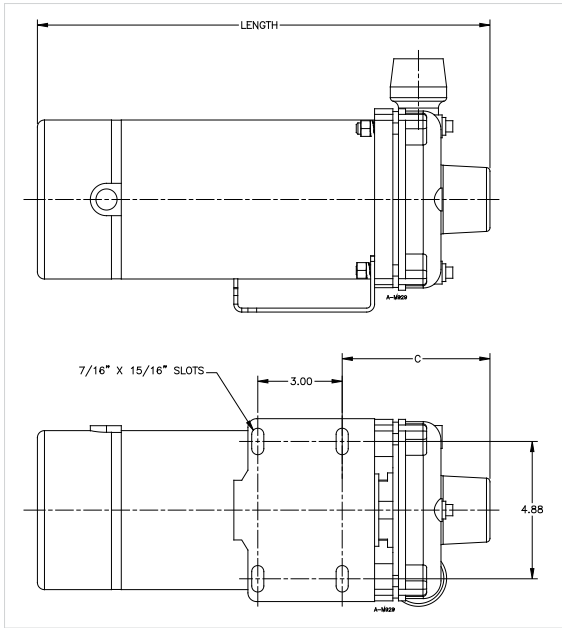
### Applications:

- Ideal for water transfer, booster and lift applications for irrigation

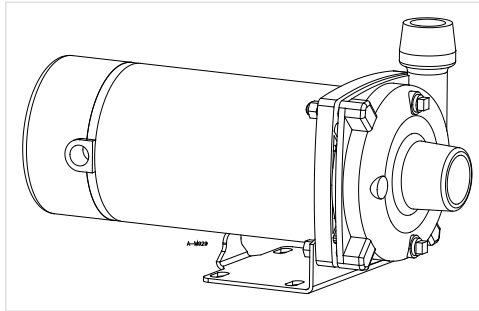
### Features:

- 3600 RPM, single phase; square flange motor
- Thermal overload protection and higher than NEMA service factor
- Glass-filled thermoplastic impeller with reinforced SSTL hub providing a smooth surface for high efficiency
- Large drain hole and shaft flinger in adapter bracket prevents moisture from damaging bearings
- Ports for air bleeding when priming and drainage to prevent frost damage
- Fully serviceable with two-year warranty

## Dimensional Outlines:



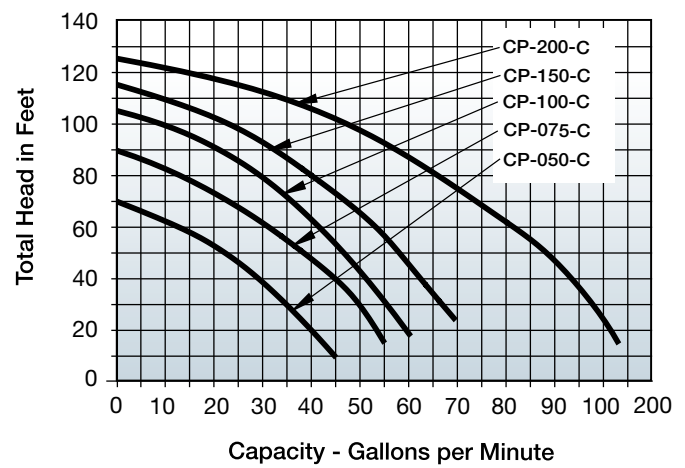
Model	Intake	Discharge	Length	A	B	C
CP-050-C	1-1/4"	1"	13.75	4.00	8.90	5.53
CP-075-C	1-1/4"	1"	14.07	4.00	8.90	5.53
CP-100-C	1-1/4"	1"	15.57	4.00	8.90	5.53
CP-150-C	1-1/4"	1"	15.90	4.00	8.90	5.53
CP-200-C	1-1/2"	1-1/4"	15.82	4.46	10.78	5.88



## Specifications:

Item #	Model	HP	Suction NPT	Discharge NPT	Total Head in Feet Capacities in U.S. GPM (LPM)									
					20	30	40	50	60	70	80	100	120	
558240	CP-050-C	1/2	1-1/4"	1"	46 (174)	38 (144)	32 (121)	24 (91)	15 (57)	–	–	–	–	
558241	CP-075-C	3/4	1-1/4"	1"	55 (208)	52 (197)	47 (178)	38 (144)	32 (121)	25 (95)	15 (57)	–	–	
558242	CP-100-C	1	1-1/4"	1"	60 (227)	57 (216)	54 (205)	49 (186)	44 (167)	39 (148)	32 (121)	12 (46)	–	
558243	CP-150-C	1-1/2	1-1/4"	1"	67 (254)	65 (246)	63 (239)	59 (224)	54 (205)	49 (186)	39 (148)	24 (91)	–	
558244	CP-200-C	2	1-1/2"	1-1/4"	104 (394)	97 (367)	92 (348)	88 (333)	81 (307)	75 (284)	66 (250)	48 (182)	15 (57)	

## Performance:



Franklin Electric  
 P.O. Box 12010  
 Oklahoma City, OK 73157-2010  
 Phone: 1.800.701.7894  
 Fax: 1.800.678.7867  
 www.LittleGiantPump.com

©2008 Franklin Electric Co., Inc.  
 Little Giant® is a registered trademark of Franklin Electric Co., Inc.  
 Form 995258 1/08

**Little GIANT**  
 Pumps. People. Partnerships.