

Features

- Premium construction ensures durability and reliability.
- Includes showerhead with arm and flange, non-diverter tub spout with 1/2" NPT or slip-fit connection, and valve trim plate with push-button diverter.
- 2.0 gpm (7.6 lpm) showerhead with Katalyst™ Spray Technology.
- Trim only, requires valve to complete installation.

Required Accessories

K-11748-K Pressure-Balancing Valve w/Diverter

or

K-11748-KS Pressure-Balancing Valve w/Diverter

Adapters, Rough-in and Extension Kits

1226074-CP



Codes/Standards

ASME A112.18.1/CSA B125.1

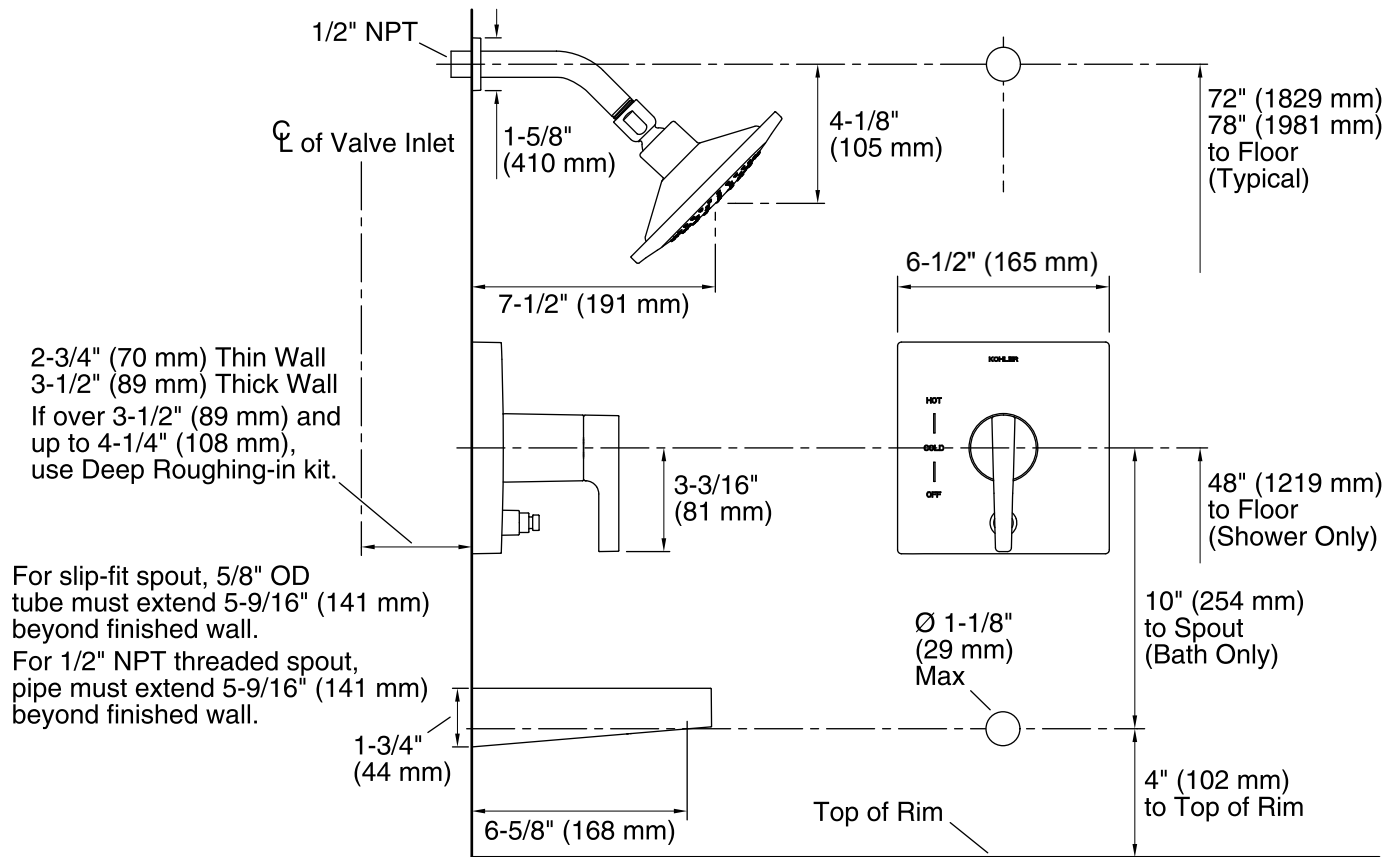
ASSE 1016/ASME A112.1016/CSA B125.16

DOE - Energy Policy Act 1992

EPA WaterSense®

California Energy Commission (CEC)

See website for detailed warranty information.



Technical Information

All product dimensions are nominal.

Valve body: Machined Brass

Showerhead:

Rated maximum flow: 2 gal/min (7.6 l/min)

Pressure: 45 psi (3.1 bar)

Notes

Install this product according to the installation guide.

Install straight pipe or tube drop of 7" (178 mm) to 18" (457 mm) with single elbow between the valve and the wall-mount spout. Elbow must be a 90 degree drop ell that is secured to rigid framing.