

### Features

- Premium construction ensures durability and reliability.
- Shower valve trim plate with push-button diverter.
- Trim only, requires valve to complete installation.

### Required Accessories

K-11748 Series Rite-Temp® Valves

### Adapters, Rough-in and Extension Kits

1226074-CP

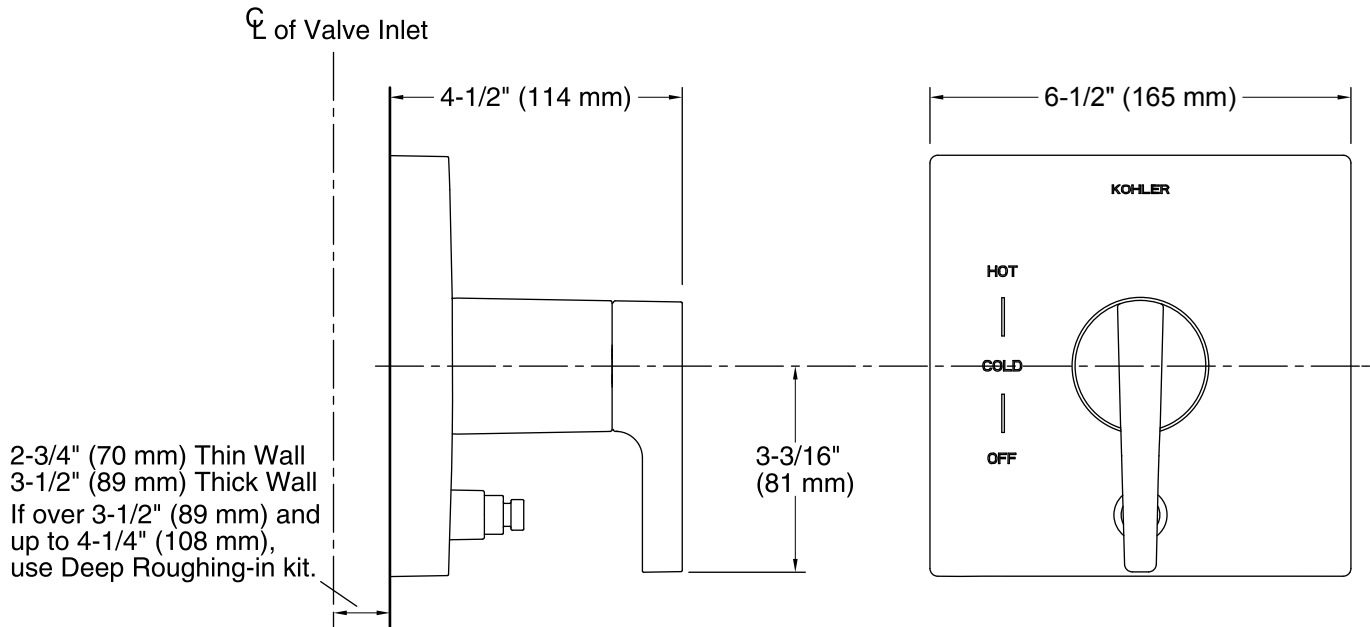


ADA CSA B651

### Codes/Standards

ASME A112.18.1/CSA B125.1  
ASSE 1016  
ADA  
ICC/ANSI A117.1  
CSA B651

See website for detailed warranty information.



### Technical Information

All product dimensions are nominal.

Valve body: Machined Brass

### Notes

Install this product according to the installation guide.

ADA, CSA B651 compliant when installed to the specific requirements of these regulations.