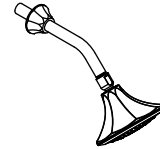


Features

- Premium material construction
- Brass valve bodies
- High-temperature limit setting for added safety
- Rite-Temp® pressure-balancing diaphragm design valve
- Mixing valve cycles from "cold" to "hot"
- Intended for use with Rite-Temp® or HiFlow Rite-Temp® valves
- Pressure-balancing mechanism of one-piece diaphragm cartridge design for ease of maintenance
- ADA-compliant lever handle
- Heavy duty slip-fit clamp design

BATH & SHOWER TRIM SET **K-T13492** ALSO K-T13493, K-T98762



Codes/Standards Applicable

Specified model meets or exceeds the following:

- ASME A112.18.1/CSA B125.1
- ASSE 1016

Colors/Finishes

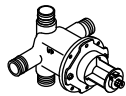

- CP: Polished Chrome
- Other: Refer to Price Book for additional colors/finishes

Accessories

- NA: None applicable

Specified Model

Model	Description	Colors/Finishes	
K-T13492-4	Bath & shower trim set, with 1/2" NPT threaded or slip-fit diverter spout (shown)	<input type="checkbox"/> CP	<input type="checkbox"/> Other ____
K-T13493-4	Shower only trim set	<input type="checkbox"/> CP	<input type="checkbox"/> Other ____
K-T98762-4	Valve only trim	<input type="checkbox"/> CP	<input type="checkbox"/> Other ____

Required Accessories			
K-304-*	Rite-Temp® valve OR	<input type="checkbox"/> NA	
K-2971-KS	HiFlow Rite-Temp valve with stops		<input type="checkbox"/> NA

* For a complete listing of all K-304 Rite-Temp valve options, refer to the Kohler Price Book or K-304 Specification Sheet.

Product Specification

The bath & shower trim set shall be of premium material construction with brass valve bodies. Product shall have a Rite-Temp pressure-balancing diaphragm design valve and pressure-balancing mechanism of one-piece diaphragm cartridge design for ease of maintenance. Product shall feature mixing valve cycles from "cold" to "hot," a high-temperature limit stop for added safety, and a single ADA-compliant lever handle. Product shall feature heavy duty slip-fit clamp design. Product is intended for use with Rite-Temp or HiFlow Rite-Temp valves. Faucet trim shall be Kohler Model K-T_____-4-____ and required Rite-Temp valve shall be K-_____-____-NA.

Optional Accessories

88526	HiFlow Rite-Temp® thin wall installation kit	<input type="checkbox"/> CP	<input type="checkbox"/> Other _____
1073881	HiFlow Rite-Temp thick wall installation kit		<input type="checkbox"/> NA

Installation Notes

Install the Rite-Temp valve and valve trim according to the installation guide.

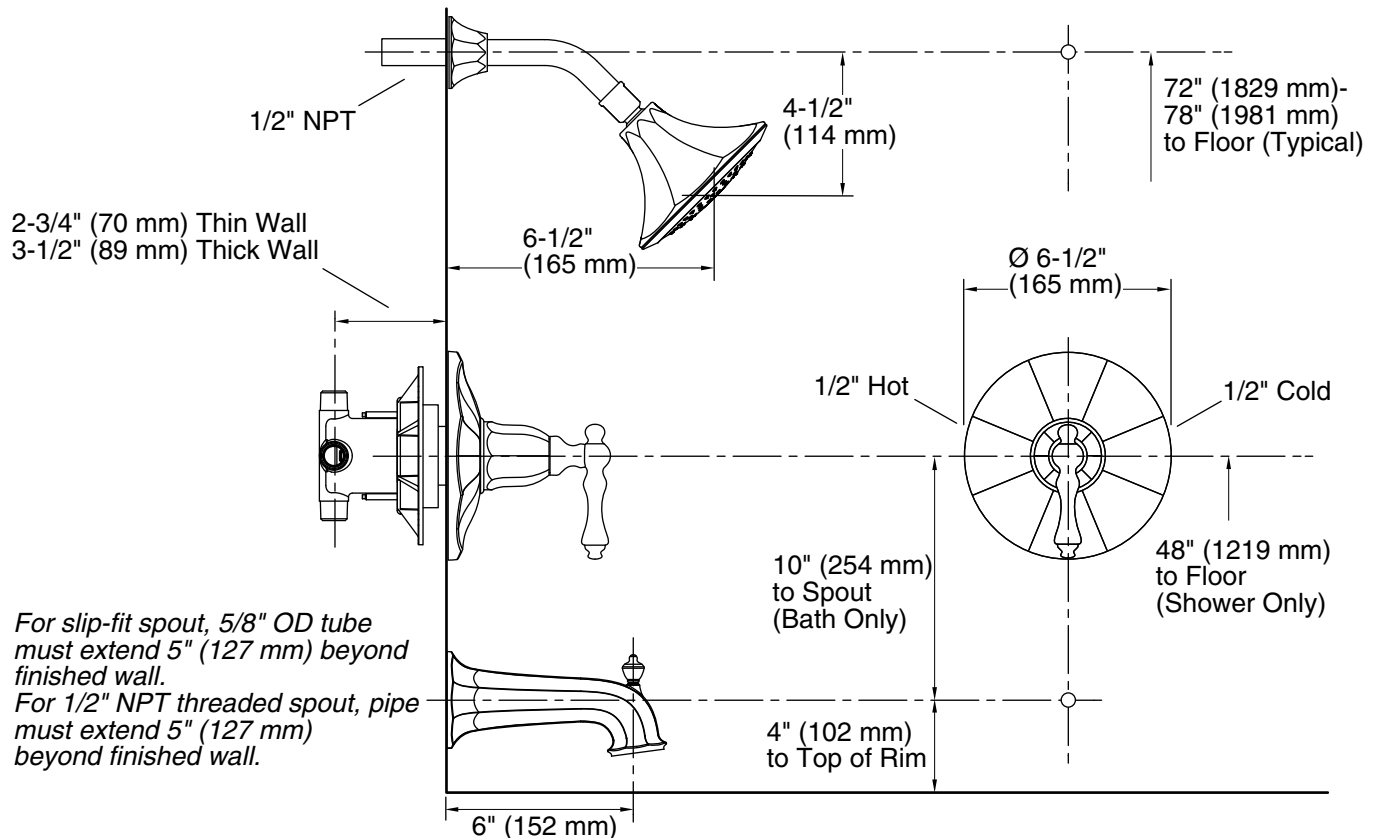
For K-2971-KS valve installations:

IMPORTANT! Risk of product damage. Consult the trim installation guide to verify if the thin wall installation kit (88526) is needed. Long screws for installing the trim can damage the K-2971-KS valve.

Avoid cross-flow conditions. Do not install a shut-off device on either valve outlet.

Cap the shower outlet if the deck-mounted spout, diverter, or handshower is connected to the spout outlet.

Install a 7" (178 mm) to 18" (457 mm) straight pipe or straight tube with single bath elbow between the valve and the wall-mount spout.



Product Diagram