

Features

- Metal construction.
- Intended for use with Rite-Temp® or HiFlow Rite-Temp® valves.
- Includes showerhead with arm and flange, 5-1/4" (133 mm) diverter spout with NPT, and faceplate with handle.
- 2.0 gal/min (7.6 l/min) maximum flow rate showerhead with Katalyst® Spray Technology.

Required Accessories

K-2971-KS 3/4" Pressure-balancing Valve

or

K-304/K-P304 Series Rite-Temp® Valves

Optional Accessories

88526 Thin Wall Trim Kit



Codes/Standards

ASME A112.18.1/CSA B125.1

DOE - Energy Policy Act 1992

EPA WaterSense®

California Energy Commission (CEC)

KOHLER® Faucet Lifetime Limited Warranty

See website for detailed warranty information.

Available Color/Finishes

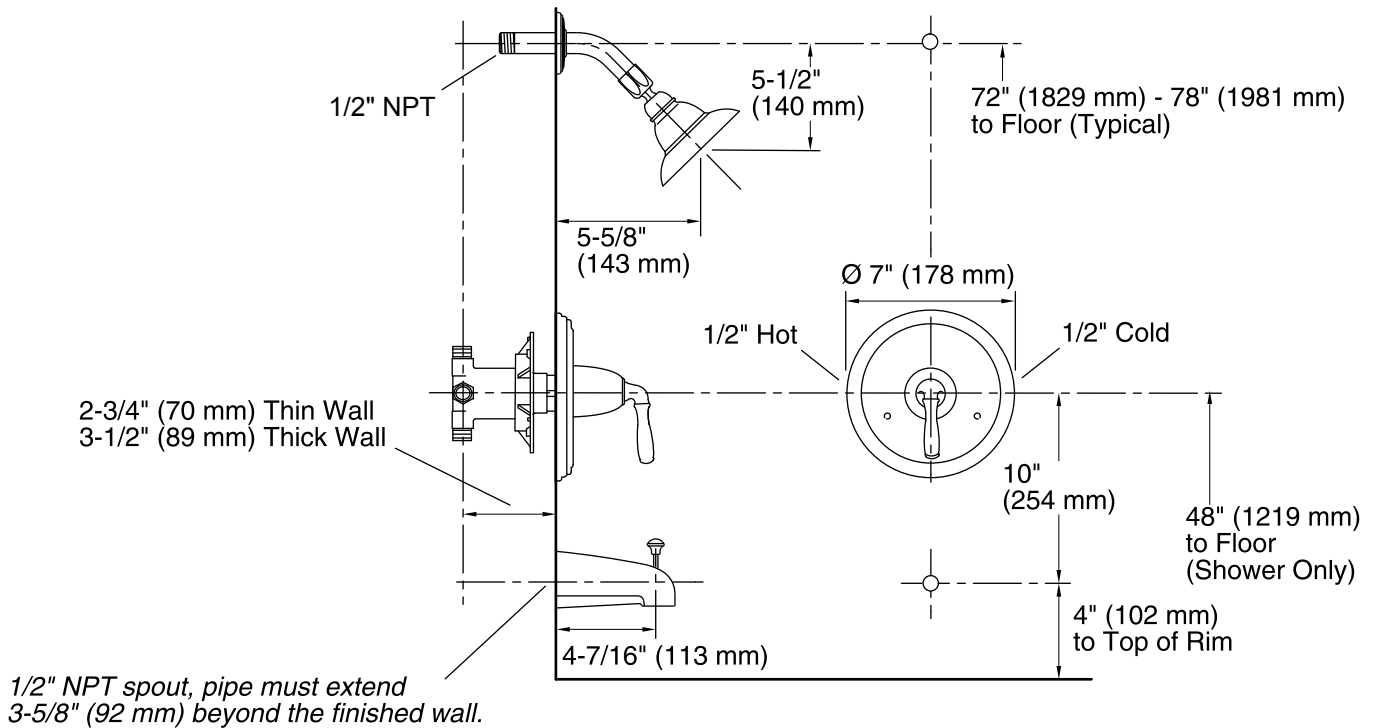
Color tiles intended for reference only.

Color	Code	Description
-------	------	-------------



SN

Vibrant® Polished Nickel



Complete bath and shower faucet with Rite-Temp valve shown.

Technical Information

All product dimensions are nominal.

Spout:

Spout reach: 4-7/16" (113 mm)

Showerhead:

Rated maximum flow: 2 gal/min (7.6 l/min)

Pressure: 80 psi (5.5 bar)

Notes

For use with automatic compensating valves rated at 1.7 gal/min (6.4 l/min) or less.

Install this product according to the installation guide.

NOTICE: Risk of product damage. Long screws, for installing trim, can damage the K-2971-KS valve. Consult the trim installation guide to verify if the thin wall installation kit (88526) is needed.

Avoid cross-flow conditions. Do not install shut-off device on either valve outlet.

Install straight pipe or tube drop of 7" (178 mm) to 18" (457 mm) with single elbow between valve and wall-mount spout.