

Features

- Brass construction.
- MasterClean™ spray nozzles prohibit mineral build-up.
- Complements Loure Suite.
- Push button diverter.
- Requires a Rite-Temp® valve.

Required Accessories

K-11748-K Pressure-Balancing Valve With Diverter Less Stops

or

K-11748-KS Pressure-Balancing Valve With Diverter and Stops



For complete listing of available colors, go to kohler.com.

Codes/Standards

ASME A112.18.1/CSA B125.1

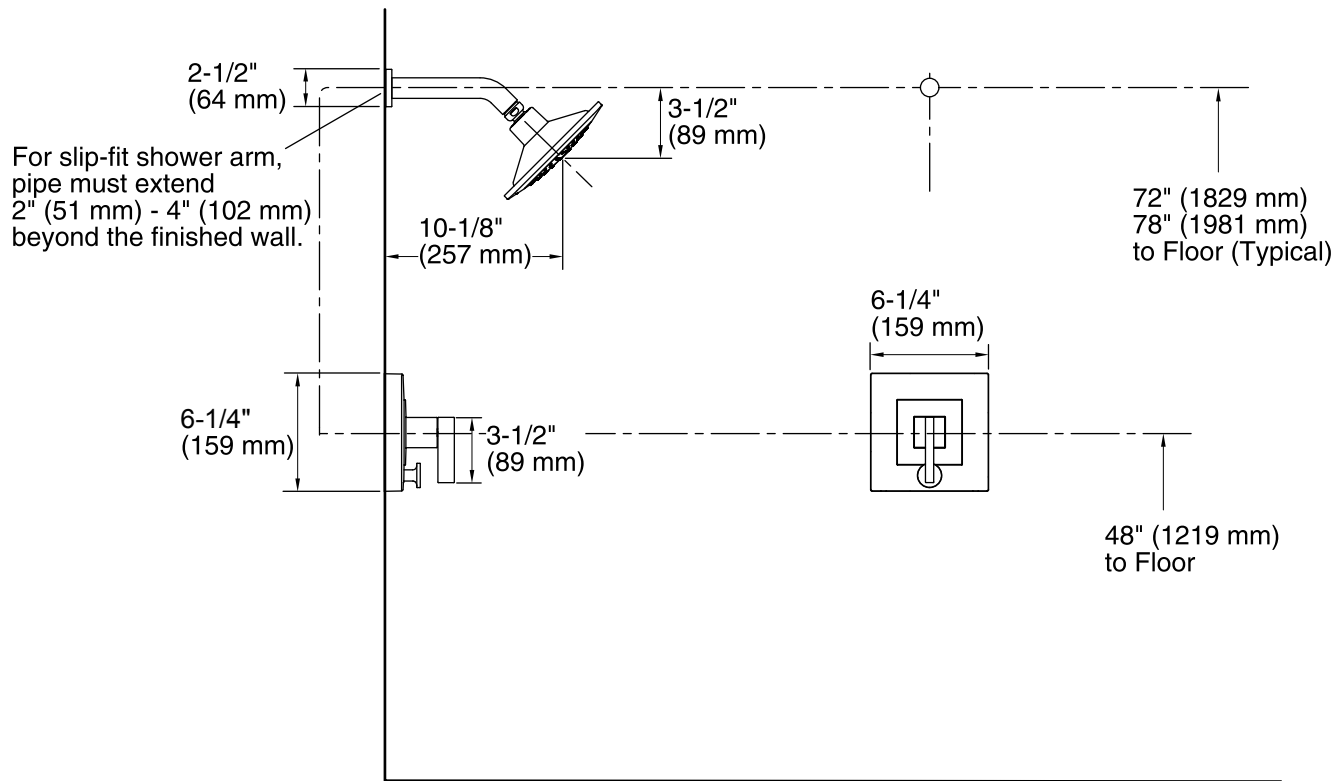
ASSE 1016

KOHLER® Faucet Lifetime Limited Warranty

See website for detailed warranty information.

Product Specification

Shower trim shall be made of brass construction. Shower trim shall have a push button diverter. Shower trim shall feature a MasterClean™ spray nozzle that prohibits mineral buildup. Shower trim shall be Kohler Model K-T14665-4.



Technical Information

All measurements are nominal.

Pressure: 45 psi (3.1 bar)

Installation Notes

Install this product according to the installation guide.

Avoid cross-flow conditions. Do not install a shut-off device on either valve outlet.