

Features

- Two lever handles offer separate control of hot and cold water.
- KOHLER ScratchShield™ finish resists tarnishing and corrosion.
- Ceramic disc valves exceed industry longevity standards, ensuring durable performance for life.

Material

- Premium metal construction.

Installation

- Simplified faucet assembly; mounting hardware requires no special tools.

Water Conservation & Rebates

- 1.2 gpm (gallons per minute) flow rate.



ADA

Codes/Standards

ASME A112.18.1/CSA B125.1
NSF 61
NSF 372
DOE - Energy Policy Act 1992
EPA WaterSense®
California Energy Commission (CEC)
ADA
ICC/ANSI A117.1

KOHLER® Faucet Lifetime Limited Warranty

See website for detailed warranty information.

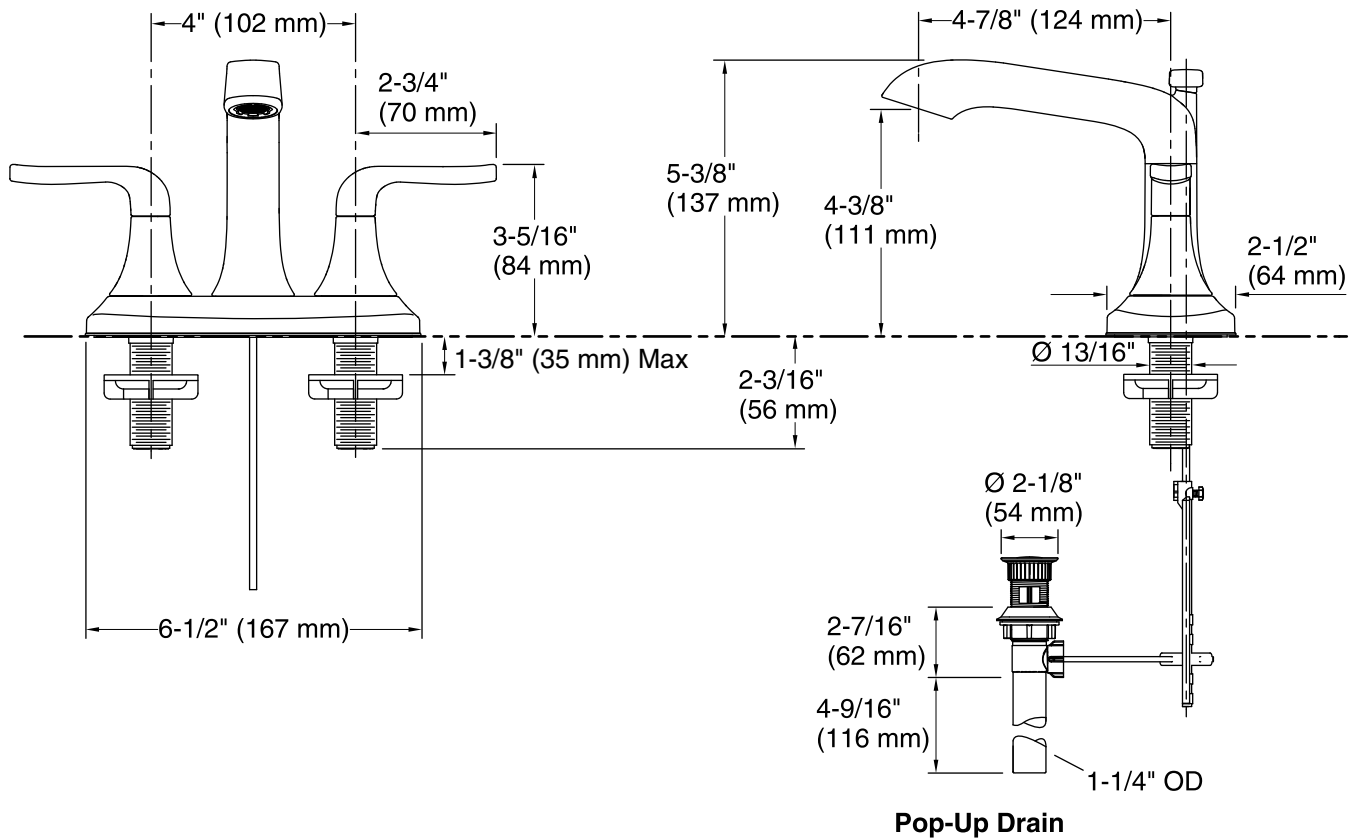
Available Color/Finishes

Color tiles intended for reference only.

Color	Code	Description
-------	------	-------------



CP	Polished Chrome
BN	Vibrant® Brushed Nickel



Technical Information

All product dimensions are nominal.

Spout:

Spout reach: 4-7/8" (124 mm)

Handle clearance: 2-3/4" (70 mm)

Faucet:

Flow rate: 1.2 gal/min (4.5 l/min)

Pressure: 45 psi (3.1 bar)

Notes

Install this product according to the installation guide.

ADA compliant when installed to the specific requirements of these regulations.