



Executive Chef™
Under-Mount Kitchen Sink
K-5931-4U

Features

- 36-inch minimum base cabinet width.
- Large/medium bowls.
- 9 3/4-inch left depth and 7 3/4-inch right depth.
- Three oversized faucet holes with one oversized accessory hole to the right.
- Oversized holes allow for easy installation of faucets and accessories.
- Offset faucet ledge.

Material

- KOHLER® enameled cast iron.

Installation

- Under-mount

Recommended Products/Accessories

- K-6001 Left-Bowl Sink Rack
- K-6539 Drainboard with Sink Rack
- K-8801 Sink Strainer
- K-8799 Sink Strainer

Optional Products/Accessories

- K-6521 Sink Basket
- 1054375 Under-mount Sink Kit, 23"
- K-6515 Cutting Board
- K-11352 Disposal Flange with Stopper
- K-9000 P-Trap



Codes/Standards

ASME A112.19.1/CSA B45.2

KOHLER® Enameled Cast Iron Kitchen Sink Lifetime Limited Warranty

See website for detailed warranty information.

Available Colors/Finishes

Color tiles intended for reference only.

Color	Code	Description
	0	White
	FF	Sea Salt™
	96	Biscuit
	47	Almond
	FD	Cane Sugar™
	NY	Dune
	95	Ice™ Grey
	G9	Sandbar
	33	Mexican Sand™
	K4	Cashmere
	FT	Basalt
	58	Thunder™ Grey
	20	Suede
	KA	Black 'n Tan
	FP	Caviar
	7	Black Black™

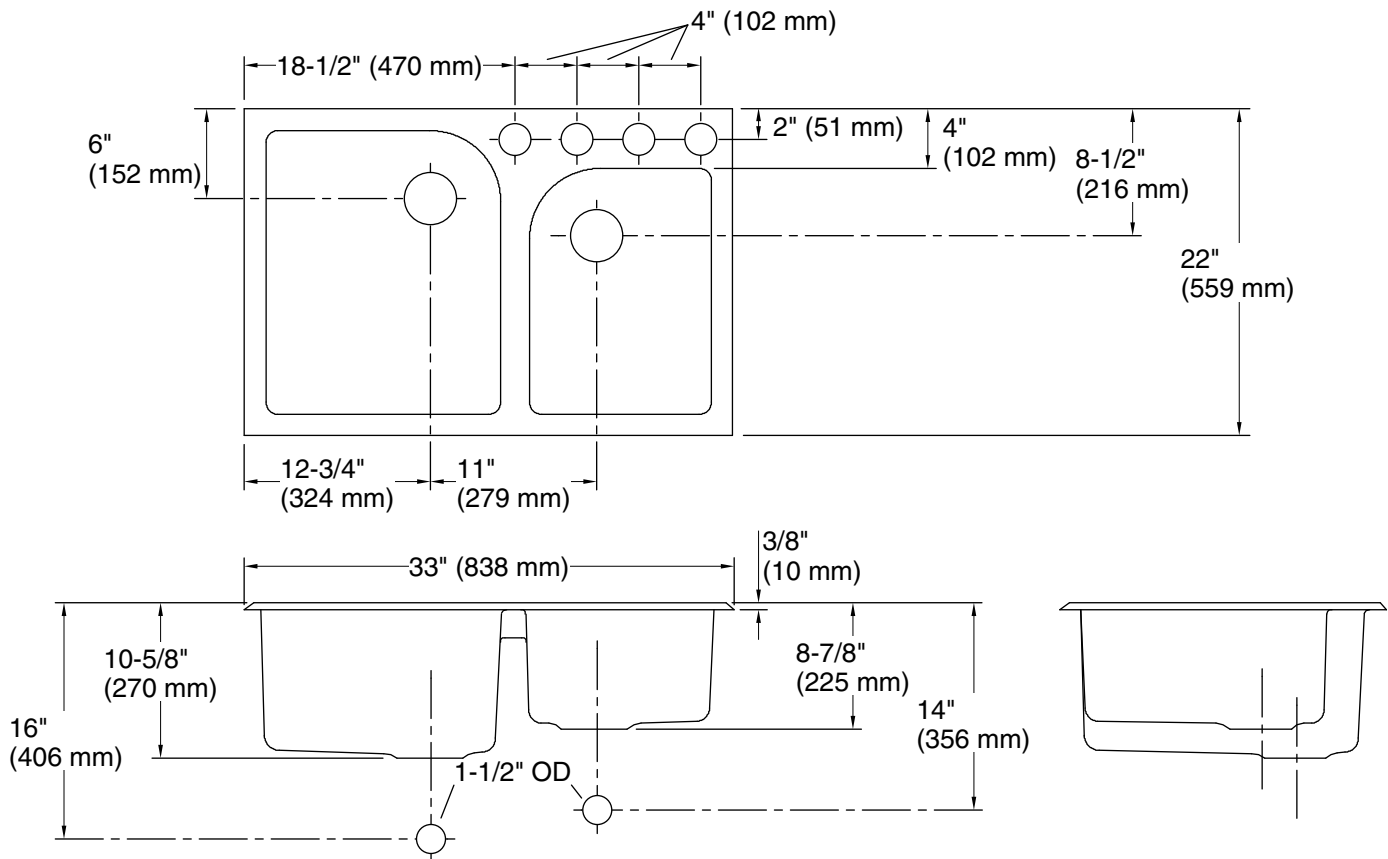
1-800-4KOHLER (1-800-456-4537)

Kohler Co. reserves the right to make revisions without notice to product specifications.

For the most current Specification Sheet, go to www.kohler.com.

11-6-2019 06:09 - US/CA/MX





Technical Information

All product dimensions are nominal.

Bowl configuration:	Off-set Large/small
Installation:	Under-mount
Min. base cabinet width:	36" (914 mm)
Bowl area (Left):	Length: 16" (406 mm) Width: 19" (483 mm) Bowl depth: 9-3/4" (248 mm)
Bowl area (Right):	Length: 12" (305 mm) Width: 17" (432 mm) Bowl depth: 7-3/4" (197 mm)
Number of deck holes:	4
Faucet hole spacing:	4" (102 mm)
Faucet hole(s):	2-3/8" (60 mm)
Drain hole:	3-5/8" (92 mm)
Template:	116808-7, required, included

Notes

Install this product according to the installation instructions.