



Medicine Cabinet K-CB-CLR1620FS

Features

- Recessed installation only.
- Two adjustable tempered glass shelves.
- Full-overlay mirrored door with beveled edges.
- Mirrored interior.
- Hinges with 108-degree opening capability for easy cabinet access.
- Can be installed with left- or right-hand swing.

Technology

- Anodized aluminum construction with a durable rust- and chip-resistant finish.

Recommended Accessories

- K-10570 Single-light Wall Sconce
- K-10571 Double-light Wall Sconce
- K-11365 Single-light Wall Sconce
- K-11366 Double-light Wall Sconce

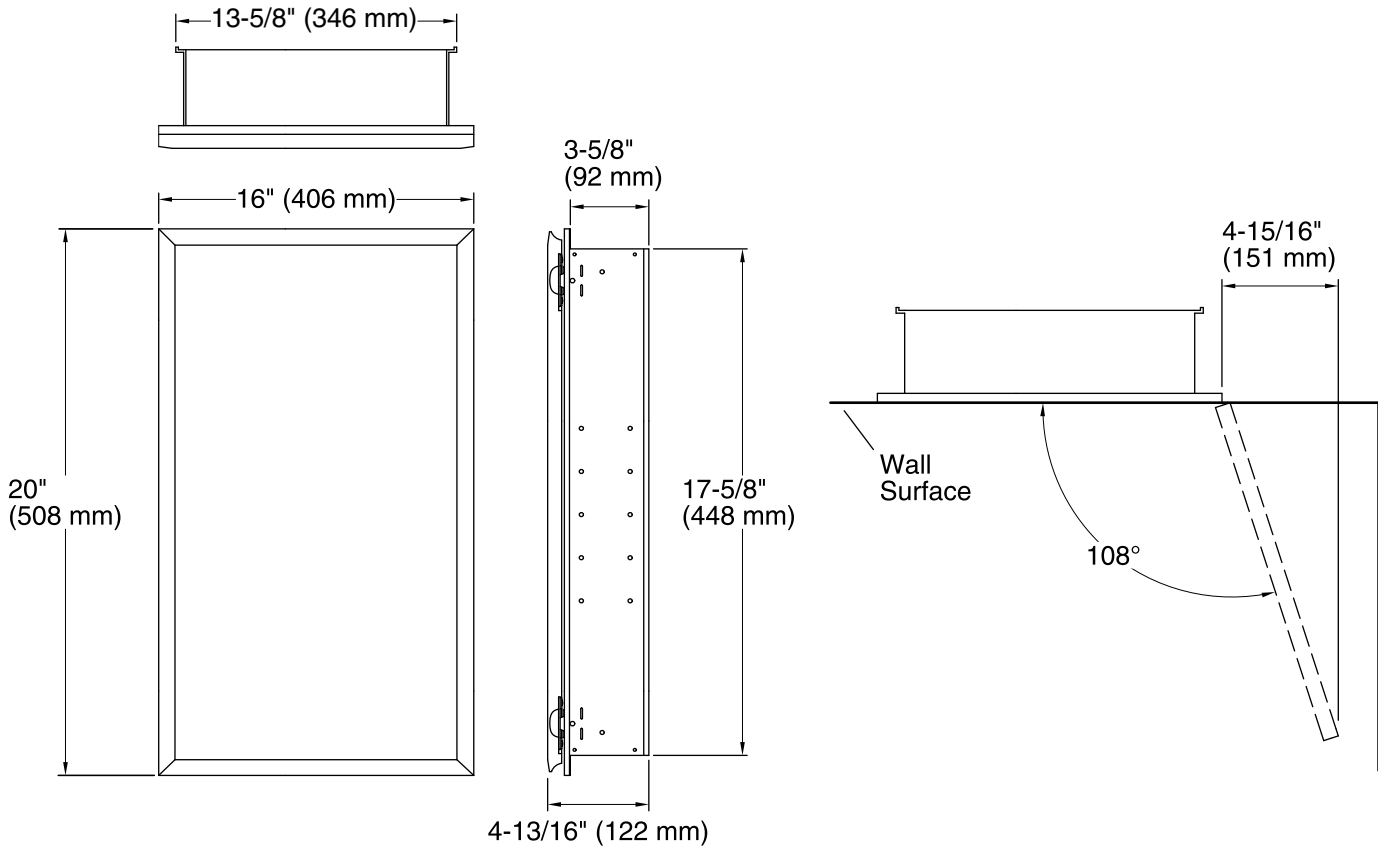


Codes/Standards

None Applicable

KOHLER® One-Year Limited Warranty

See website for detailed warranty information.



Technical Information

All product dimensions are nominal.

Recess-Mount Cutout:

Width:	14" (356 mm)
Height:	18" (457 mm)
Depth:	3-5/8" (92 mm)

Notes

Install this product according to the installation guide.

When determining the height of the medicine cabinet, ensure the mirrored door will clear all obstacles (such as a faucet). A minimum distance of 2" (51 mm) is required.

Secure the screws (provided) to a stud to avoid possible property and product damage. If this is not possible, anchors (not provided) must be inserted before installing the screws.

This cabinet is designed for either right or left door swing. Check for obstructions.

Cutout for recess-mount installation: 14" (356 mm) width x 18" (458 mm) height x 3-5/8" (92 mm) depth.