

### Features

- High-arch swing spout with 360-degree rotation offers superior clearance for filling pitchers, chilling bottles, and cleanup.
- Ceramic disc valves exceed industry longevity standards, ensuring durable performance for life.
- Single lever handle is simple to use and makes adjusting water temperature easy.
- Temperature memory allows faucet to be turned on and off at the temperature set during prior usage.
- 1.5 gal/min (5.7 l/min) maximum flow rate [max at 60 psi (4.14 bar)]

### Material

- Premium metal construction.
- KOHLER finishes resist corrosion and tarnishing.

### Installation

- For single-hole installation. (3-hole escutcheon available; sold separately, K-99272)
- Flexible supply lines simplify installation.
- Available with 7" (178mm) swing spout reach.

### Adapters, Rough-in and Extension Kits

1012715 Range: 3-1/4" (83 mm) - 5-3/8" (137 mm)

1030920 Range: 2-5/8" (67 mm) - 3-3/4" (95 mm)

### Recommended Accessories

K-99272 Three-Hole Kitchen Faucet Escutcheon



ADA

CSA B651

### Codes/Standards

ASME A112.18.1/CSA B125.1

NSF/ANSI 61

NSF/ANSI 372

All applicable US Federal and State material regulations

DOE - Energy Policy Act 1992

California Energy Commission (CEC)

ADA

ICC/ANSI A117.1


CSA B651

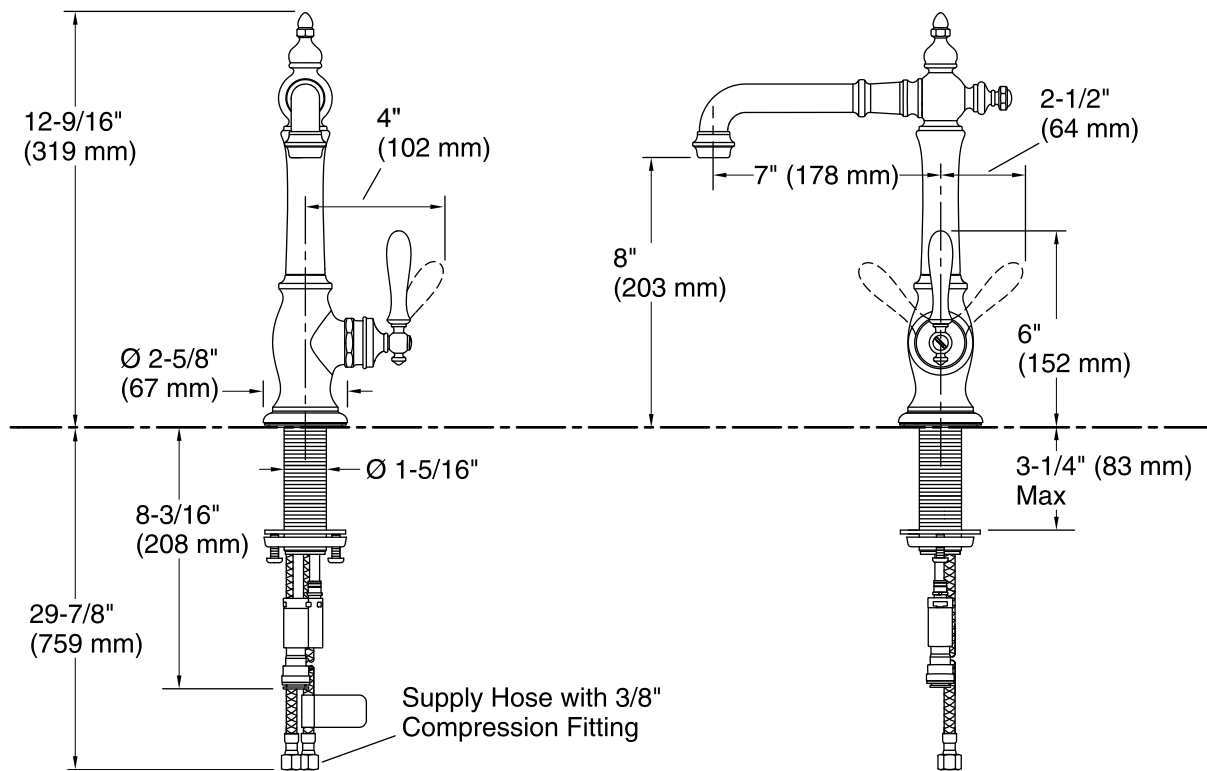
### KOHLER® Faucet Lifetime Limited Warranty

See website for detailed warranty information.

### Available Color/Finishes

*Color tiles intended for reference only.*

Color	Code	Description
	CP	Polished Chrome
	SN	Vibrant® Polished Nickel
	VS	Vibrant® Stainless
	2BZ	Oil-Rubbed Bronze



## Technical Information

All product dimensions are nominal.

### Faucet:

Flow rate: 1.5 gal/min (5.7 l/min)

Pressure: 60 psi (4.1 bar)

### Spout:

Spout reach: 7" (178 mm)

Handle clearance: 2-1/2" (64 mm)

## Notes

Install this product according to the installation guide.

ADA, CSA B651 compliant when installed to the specific requirements of these regulations.