

### Features

- Handshower features contemporary design
- Advanced spray engine provides four alternate experiences: wide coverage, intense drenching, targeted spray and water saving spray.
- Water-saving spray meets ADA requirement for non-positive Shutoff
- Thumb tab allows for a smooth transition between sprays.
- MasterClean™ sprayface is easy to clean.
- 24-inch slidebar features adjustable mounting brackets for installation flexibility.
- Includes 60-inch smooth hose.

### Water Conservation & Rebates

- WaterSense®-labeled 2.0-gpm handshowers use up to 20 percent less water than standard 2.5-gpm handshowers, while still meeting strict performance guidelines.
- This product can help a building earn Water Efficiency points in the LEED® Green Building Rating System.

### Optional Accessories

- K-98350 Wall-mount Supply Elbow
- K-98351 Wall-mount Supply Elbow with Check Valve



**ADA** **CSA B651** **OBC**

### Codes/Standards



ASME A112.18.1/CSA B125.1  
ASSE 1014  
DOE - Energy Policy Act 1992  
EPA WaterSense®  
California Energy Commission (CEC)  
ADA  
ICC/ANSI A117.1  
CSA B651  
OBC

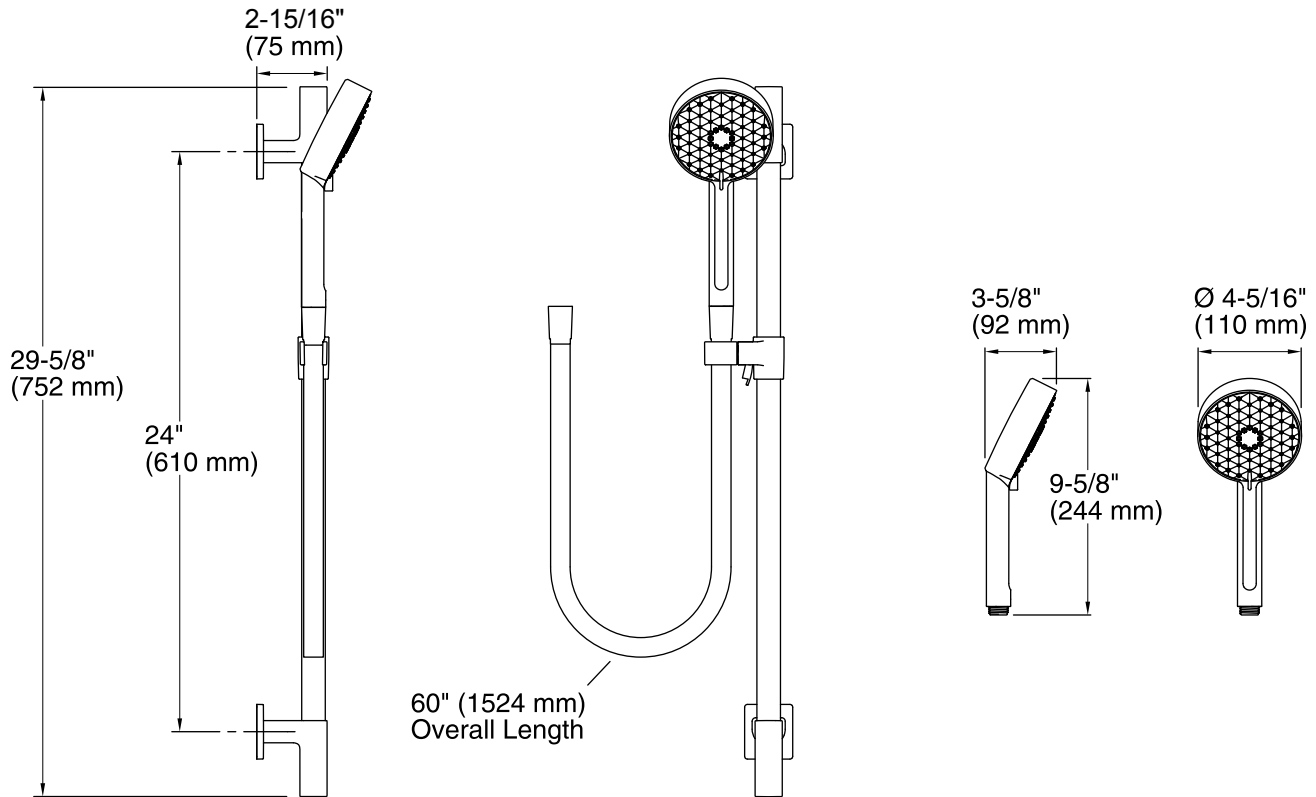
### KOHLER® Faucet Lifetime Limited Warranty

See website for detailed warranty information.

### Available Color/Finishes

*Color tiles intended for reference only.*

Color	Code	Description
	CP	Polished Chrome
	BN	Vibrant® Brushed Nickel



## Technical Information

All product dimensions are nominal.

### Handshower:

Rated maximum flow: 2 gal/min (7.6 l/min)

## Notes

Install this product according to the installation guide.

Plumbing codes require approved backflow prevention devices to be installed in-line to handshowers. Please consult with local plumbing officials.

ADA, OBC, CSA B651 compliant when installed to the specific requirements of these regulations.