

## Features

- No faucet holes; requires wall- or counter-mount faucet.
- Overflow drain.

## Material

- Vitreous china.

## Installation

- Above-counter or countertop.



## Codes/Standards

ASME A112.19.2/CSA B45.1


## KOHLER® One-Year Limited Warranty

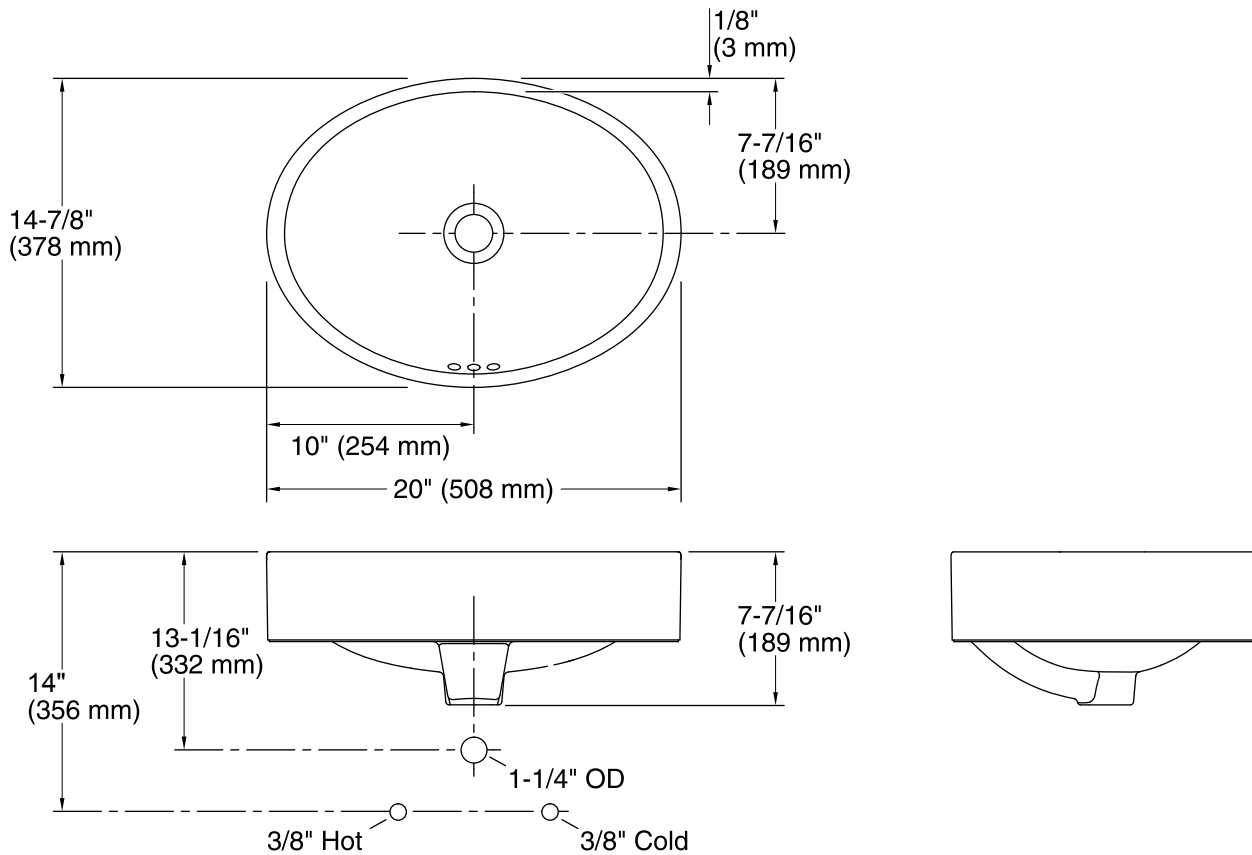
See website for detailed warranty information.

## Available Color/Finishes

*Color tiles intended for reference only.*

| Color | Code | Description |
|-------|------|-------------|
|-------|------|-------------|

|  |   |       |
|--|---|-------|
|  | 0 | White |
|--|---|-------|



## Technical Information

All product dimensions are nominal.

|                     |   |
|---------------------|---|
| Bowl configuration: | Single  |
| Installation:       | Above-counter                                     |
| Bowl area (Only)    | Bowl depth: 5-1/2" (140 mm)<br>With overflow: Yes |
| Bowl area           | With overflow: Yes                                |
| Template:           | Above-counter, 1245921-7, required, included      |

## Notes

Install this product according to the installation guide.

**NOTICE:** Countertop manufacturer or cutter must use the cut-out template provided with the product, or a current one provided by Kohler Co. (call 1-800-4-KOHLER). Kohler Co. is not responsible for cutout errors when the incorrect cut-out template is used.