

Features

- Upgrade an existing installed DTV I auxiliary interface (K-686) or DTV II auxiliary interface (K658) to the DTV+ interface (K-99693-P).
- Kit includes a cover plate and a wiring connection adapter to utilize existing in-wall cables.
- Note that the installed primary interface must be converted at the same time using the appropriate conversion kit.
- Note that DTV I and DTV II landscape auxiliary interfaces (K-685 & K-657) cannot be upgraded to the new DTV+ interface.

Material

- Premium material construction for durability and reliability.

Installation

- The conversion kit cover plate attaches to the existing DTV I/II interface wall sleeve. The new DTV+ interface clips into the cover plate (DTV+ mounting bracket is not required).

Required Accessories

K-99693-P Digital Interface

Loose component/s: DTV+ Retrofit Interface cable, suction cup, and 6 ft RJ45 Extension cable .

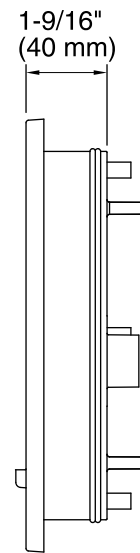
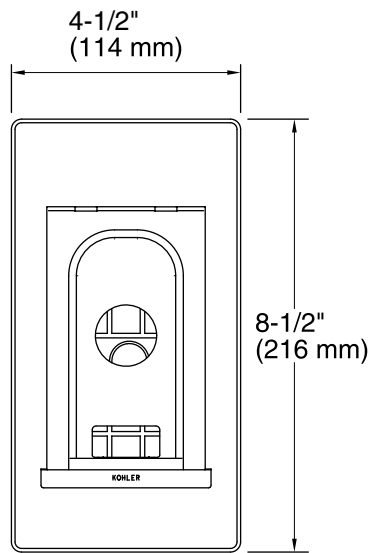
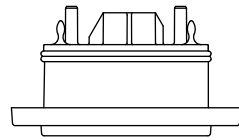


Codes/Standards

None Applicable

KOHLER® Electronic Faucets, Valves, and Controls - Five-Year Limited Warranty

See website for detailed warranty information.



Technical Information

All product dimensions are nominal.

Notes

Install this product according to the installation guide.