



Highcliff™ Ultra

Elongated, Floor Mount, Flushometer Bowl
K-96057

Features

- Elongated bowl, ADA compliant.
- 1-1/2" top spud.
- 2-1/8" glazed trapway.
- 10" x 7" water surface size
- Also available with antimicrobial finish K-96057-SS.

Material

- Vitreous china.

Technology

- Designed to outperform competitors in bowl cleanliness and plug resistance.
- Maximum waste removal.
- Improved toilet seat cover removal.
- Excellent bowl rinse.
- Engineered to flush effectively in buildings with low supply pressure and flow. Tested to 25 psi and 19 gpm.
- Maximum drain line carry at all flush volumes per ASME Standard.
- Reduced splashing.

Installation

- 26-3/8" L x 14-5/8" W x 16-7/8" H
- 10" or 12" rough-in
- Replaces Highcrest K-4302, Highcliff K-4368 and Highline K-4405.

Water Conservation & Rebates

- 1.1 to 1.6 gpf flush range (1.1, 1.28 and 1.6 gpf).
- WaterSense compliant when used with a 1.1 or 1.28 gpf WaterSense flushometer.

Optional Accessories

- K-4731-C Commercial Heavy-duty Toilet Seat
- K-4731-CA Commercial Heavy-duty Toilet Seat
- K-7531 Tripoint™ HES 1.28 GPF WC Flushometer
- K-7535 Tripoint™ HES 1.6 GPF WC Flushometer
- K-7521 WAVE HES 1.28 GPF WC Flushometer
- K-7523 WAVE HES 1.6 GPF WC Flushometer
- K-10673 WAVE Touchless Toilet 1.28 gpf Flushometer
- K-10674 Wave DC 1.6 GPF WC Flushometer
- K-76320 Manual 1.1 GPF WC Flushometer
- K-76321 Manual 1.28 GPF WC Flushometer
- K-76322 Manual 1.6 GPF WC Flushometer

Components

Additional included component/s: Spud, and Bolt Cap Accessory Pack.



ADA **CSA B651** **OBC**

Codes/Standards

ASME A112.19.2/CSA B45.1
DOE - Energy Policy Act 1992
EPA WaterSense®
California Energy Commission (CEC)
ADA
ICC/ANSI A117.1
CSA B651
OBC



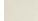
KOHLER® One-Year Limited Warranty

See website for detailed warranty information.

Available Color/Finishes

Color tiles intended for reference only.

Color Code Description

	0	White
	96	Biscuit
	47	Almond

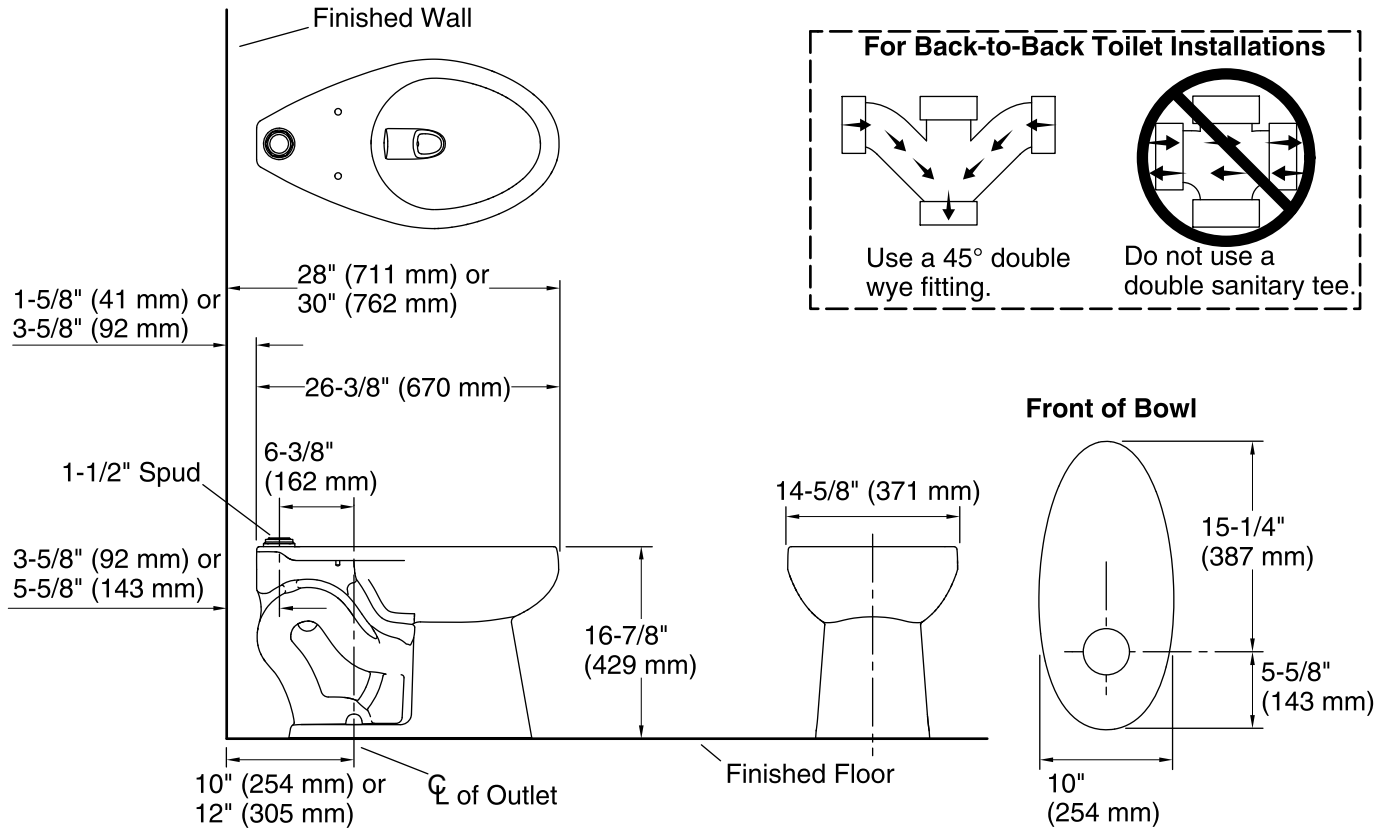
USA/Canada: 1-800-4KOHLER (1-800-456-4537)

Kohler Co. reserves the right to make revisions without notice to product specifications.

For the most current Specification Sheet, go to www.kohler.com.

5-23-2017 16:09

THE BOLD LOOK
OF **KOHLER**®



Technical Information

All product dimensions are nominal.

Toilet type:	Flushometer, Floor-mount
Waste Outlet:	Floor
Bowl shape:	Elongated front
Flush type:	Flushometer valve siphon
Spud size:	1-1/2", Inlet, Top
Trap passageway:	2-1/8" (54 mm)
Water Consumption	
Full:	1.1 gpf (4.3 lpf) or 1.28 gpf (4.8 lpf) or 1.6 gpf (6 lpf)
Water surface size:	10" x 7" (254 mm x 178 mm)
Rim to water surface:	6" (152 mm)
Rough-in:	10" or 12" (254 or 305 mm)
Seat-mounting holes:	5-1/2" (140 mm)

Fixture Supply Requirements

Min static pressure:	35 psi (241.3 kPa)
Max static pressure:	80 psi (551.6 kPa)
Min flowing pressure:	25 psi (172.4 kPa)
Min flow rate:	25 gpm (94.6 lpm)

Notes

Install this product according to the installation instructions.

For back-to-back toilet installations: Use only a 45° double wye fitting.

Requires flushometer valve to match desired water consumption 1.1 gpf (4.3 lpf) or 1.28 gpf (4.8 lpf) or 1.6 gpf (6 lpf).

ADA, OBC, CSA B651 compliant when installed to the specific requirements of these regulations.

Plumbing Codes require elongated toilets and elongated, open-front toilet seats in public bathrooms.

Accessibility standards require controls to be located on the open side of the toilet.