



Features

- Integral seat design for comfort.
- Single threshold for three-wall or alcove installation.
- Durable acrylic construction.
- Right drain.
- Coordinates with other products in the Memoirs collection.

Recommended Products/Accessories

- K-1733 9 kW Steam Generator
- K-702208-G54 Frameless Sliding Shower Door
- K-702208-G73 Frameless Sliding Shower Door
- K-702208-L Frameless Sliding Shower Door
- K-702209-L Frameless Sliding Shower Door
- K-705704-L Frameless Pivot Shower Door
- K-705710-L Frameless Pivot Shower Door
- K-705716-L Frameless Pivot Shower Door
- K-705722-L Frameless Pivot Shower Door
- K-705728-L Frameless Pivot Shower Door
- K-705740-L Frameless Pivot Shower Door
- K-705808-L Semi-Frameless Pivot Shower Door
- K-705809-L Semi-Frameless Pivot Shower Door
- K-705822-L Semi-Frameless Pivot Shower Door
- K-705823-L Semi-Frameless Pivot Shower Door
- K-706008-D3 Frameless Sliding Shower Door
- K-706008-L Frameless Sliding Shower Door
- K-706010-L Frameless Sliding Shower Door
- K-706011-L Frameless Sliding Shower Door
- K-706014-D3 Frameless Sliding Shower Door
- K-706014-L Frameless Sliding Shower Door
- K-706016-L Frameless Sliding Shower Door
- K-706017-L Frameless Sliding Shower Door
- K-5526 7 kW Steam Generator
- K-9132 Shower Drain



Codes/Standards

- ASME A112.19.1/CSA B45.2
- CSA B45.5/IAPMO Z124
- ASTM E162
- ASTM E662
- Greenguard UL 2818 - Gold

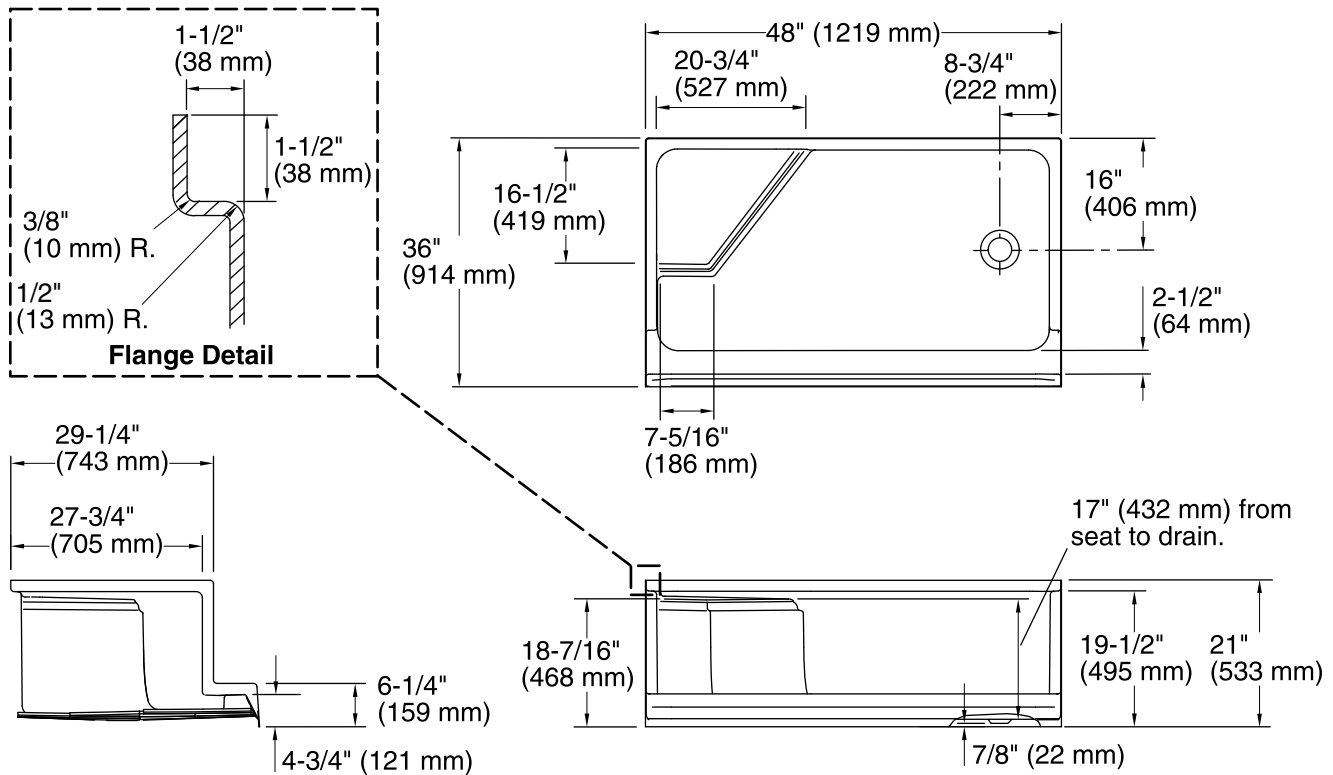
KOHLER® Plastic Baths and Receptors Lifetime Limited Warranty

See website for detailed warranty information.

Available Colors/Finishes

Color tiles intended for reference only.

Color	Code	Description
	0	White
	96	Biscuit
	47	Almond
	NY	Dune
	95	Ice™ Grey
	G9	Sandbar
	K4	Cashmere
	58	Thunder™ Grey
	7	Black Black™



Technical Information

All product dimensions are nominal.

Installation:	Three-wall alcove
Drain location:	Right
Weight:	70 lbs (31.8 kg)
Minimum floor load:	21 lbs/ft ² (102.5 kg/m ²)

Notes

- Measure your actual product for rough-in details.
- Install this product according to the installation instructions.
- Shimming may be required to level the fixture.
- Shimming may be required between the stud frame and the fixture.
- Stud opening tolerance is + 1/4" (6 mm), - 0" (0 mm).