

Features

- 36-inch minimum base cabinet width for under-mount or top-mount installation.
- Single bowl.
- 9-1/2-inch depth.
- Includes 1 faucet hole on rear deck (3 more faucet holes available for knockout with ball-peen hammer & punch).
- Includes cutout templates.
- Includes K-6109 bottom sink rack.
- Optional K-5376 bottom sink rack (sold separately).

Material

- KOHLER Neoroc® composite is durable and built to withstand day-to-day cleaning tasks.
- Matte finish offers rich, dimensional color.
- Solid color throughout the sink.
- Heat resistant up to 750 degrees F.
- Scratch, stain, chip, and thermal-shock resistant.

Installation

- Top-mount or under-mount.

Recommended Accessories

K-9000 P-Trap
K-5376 Sink Rack
K-6109 Sink Rack
K-8801 Sink Strainer
K-8799 Sink Strainer

Components

Additional included component/s: K-6109.



Codes/Standards

CSA B45.5/IAPMO Z124



KOHLER® Neoroc® Sinks Lifetime Limited Warranty

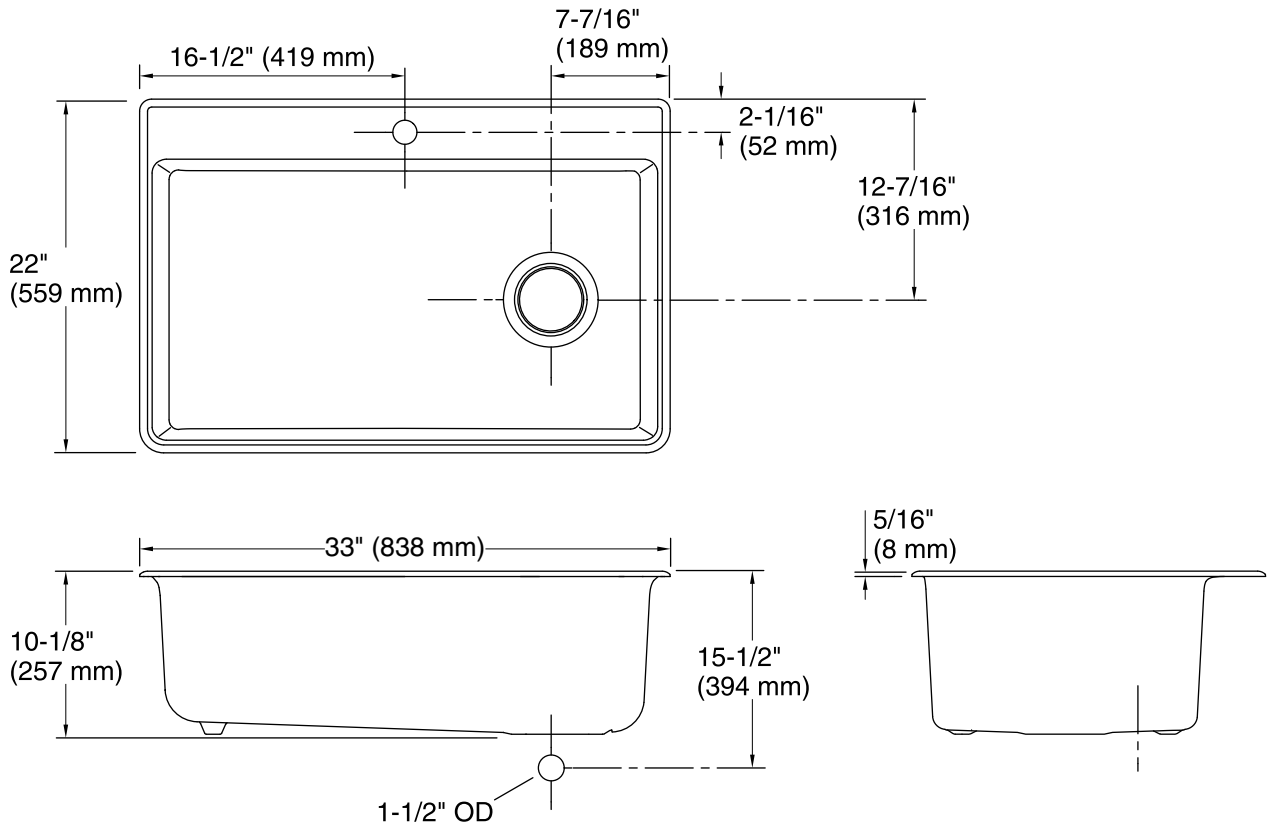
See website for detailed warranty information.

Available Color/Finishes

Color tiles intended for reference only.

Color	Code	Description
-------	------	-------------

	CM1	Neoroc® Matte Black
	CM2	Neoroc® Matte Brown



Technical Information

All product dimensions are nominal.

Installation:	Under-mount, Top-mount
Min. base cabinet width:	36" (914 mm)
Bowl area:	Length: 33-1/8" (841 mm) Width: 16-15/16" (430 mm) Bowl depth: 9-1/2" (241 mm) Water depth: 9-1/2" (241 mm)
Drain hole:	3-7/8" (98 mm)
Template:	1281757-7, required, included

Notes

Install this product according to the installation instructions.