

### Features

- Hybrid heater provides continuously heated water for consistent comfort.
- Heated seat with five temperature settings.
- Stainless steel wand with automatic UV-light self-sanitization.
- LED lighting illuminates the bowl to serve as a night-light.
- Ergonomically designed side panel offers larger control buttons for comfortable control.
- Front and Rear Wash modes provide warm water for cleansing.
- Adjustable water temperature and water pressure.
- Choose oscillating or pulsating spray.
- Warm-air drying system with adjustable air speed and temperature.
- Automatic deodorization with carbon filter for odor control.
- Quiet-Close™ lid closes slowly and quietly without slamming.
- Quick-Release™ hinges allow seat to be unlatched from toilet for easy removal and convenient cleaning; no tools required.
- Grip-Tight bumpers add stability and prevent shifting.
- Ergonomically designed for comfortable seating.

### Material

- Plastic

### Installation

- Requires connection to toilet water supply line. All hoses and connections are included.
- Requires Phillips screwdriver and adjustable wrench for installation.
- Dedicated electrical GFCI circuit required (120V, 15A, 60Hz, 1800W).

### Components

Additional included component/s: T-fitting, Inlet water supply hose, and Seat mounting bracket.



### Codes/Standards

ASME A112.4.2  
UL 1431  
CSA C22.2 No. 64  
CSA C22.2 No. 68


**KOHLER Intelligent Toilet and C3  
Cleansing Seat Three-Year Limited  
Warranty**  
**KOHLER Intelligent Toilet and C3  
Cleansing Seat Three-Year Limited  
Warranty**

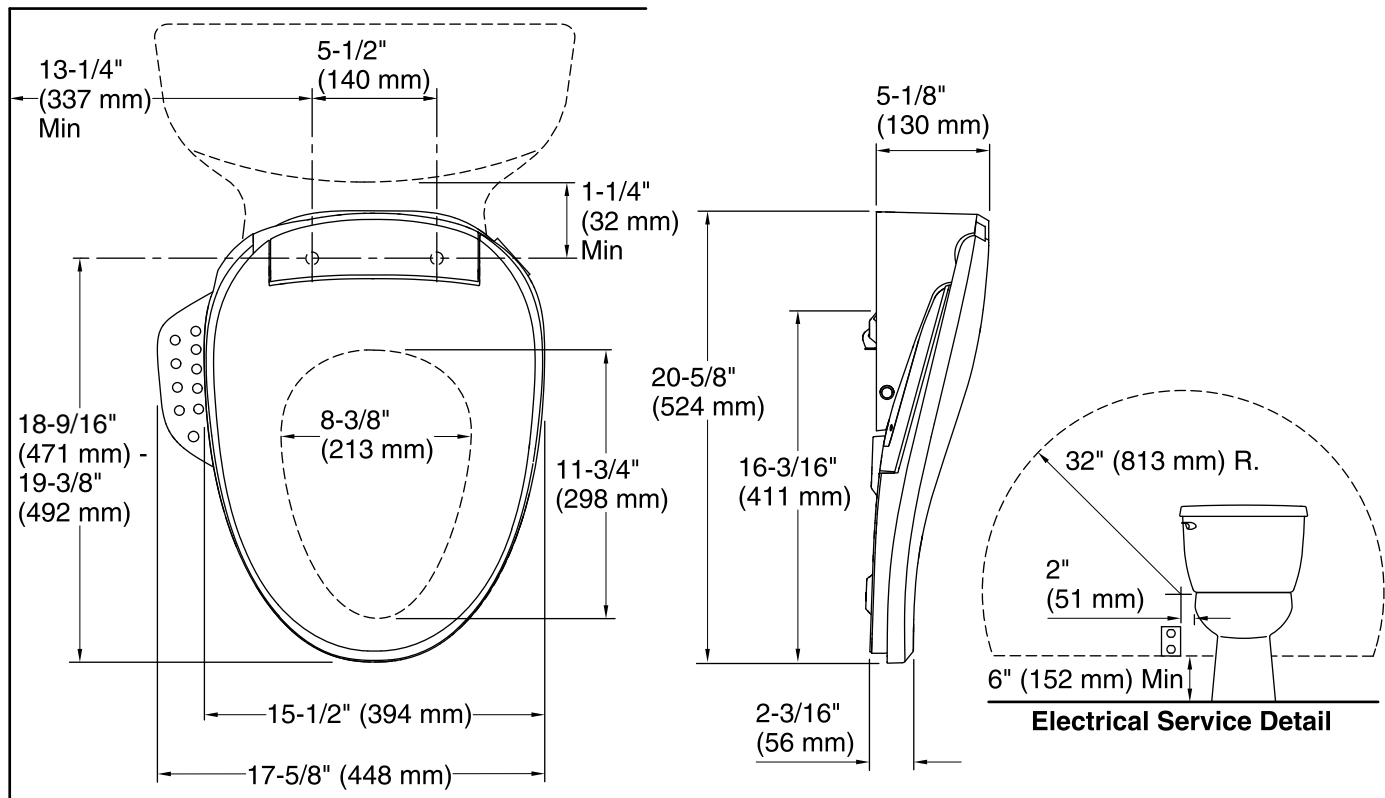
See website for detailed warranty information.

### Available Color/Finishes

*Color tiles intended for reference only.*

Color	Code	Description
-------	------	-------------

	0	White
--	---	-------



#### Required Electrical Service

One dedicated circuit required, protected with Class A Ground-Fault Circuit-Interrupter (GFCI) or Residual Current Device (RCD).

120 V, 15 A, 60 Hz

#### Technical Information

All product dimensions are nominal.

Seat shape type: Elongated  
 Seat front type: Closed front  
 Seat hinge type: Quiet-Close™, Quick-Release™  
 Seat-mounting holes: 5-1/2" (140 mm)  
 Power cord length: 43" (1092 mm)

#### Notes

Install this product according to the installation guide.

Connect the seat to a cold water supply of drinking quality water at a pressure of 20 psi - 80 psi (139 kPa - 551 kPa).

Do not install this seat in a location where: (1) water might be splashed on the product or (2) excessive moisture, high humidity levels, or condensation is present. This will avoid damage to the electronic components.

Do not use an extension cord with this product.

To avoid possible product malfunction, do not plug in the seat until instructed to do so.

Locate the receptacle at least 6" (152 mm) above the floor, and within a 32" (813 mm) radius measured 2" (51 mm) from the bowl ledge.