



Cairn™
Under-mount Kitchen Sink
K-8204

Features

- No faucet holes.
- Includes cutout templates.
- Double (small/large offset) basins.
- Reversible.
- Includes 1 bottom basin rack (large).

Material

- KOHLER Neoroc material.

Installation

- Fits minimum 36-inch base cabinet width.
- Under-mount installation.

Recommended Accessories

K- 9000 P-Trap

Optional Accessories

K-5198

K- 8801 Sink Strainer

Components

Product includes:

K-5655



Codes/Standards

CSA B45.5/IAPMO Z124

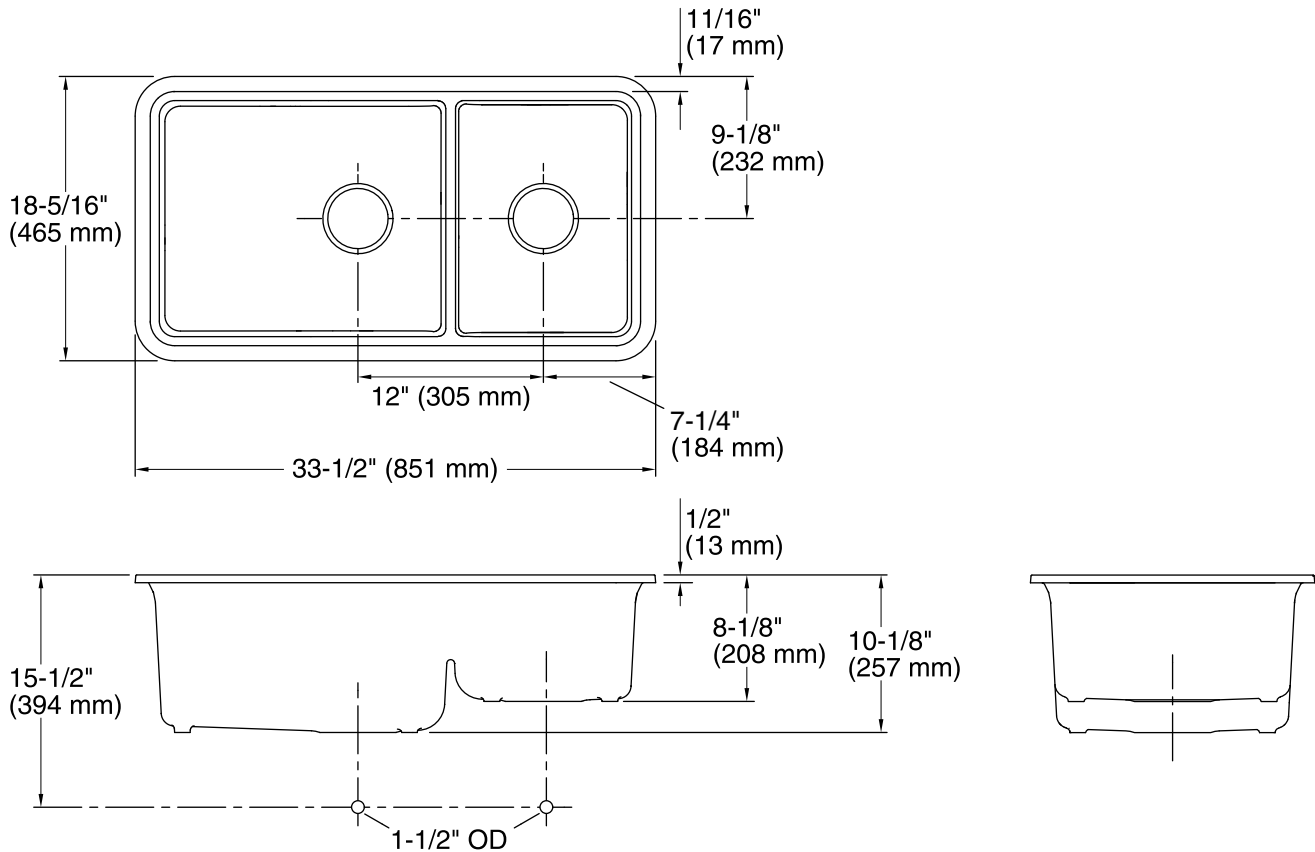
See website for detailed warranty information.

Available Color/Finishes

Color tiles intended for reference only.

Color Code Description

● CM1



Technical Information

All product dimensions are nominal.

Bowl configuration:	Offset
Installation:	Under-mount
Bowl area (Left)	Length: 18-7/16" (468 mm) Width: 15-3/16" (386 mm) Bowl depth: 9-1/2" (241 mm) Water depth: 9-1/2" (241 mm)
Bowl area (Right)	Length: 11-5/16" (288 mm) Width: 15-3/16" (386 mm) Bowl depth: 7-1/2" (191 mm) Water depth: 7-1/2" (191 mm)
Drain hole:	3-7/8" (98 mm)
Template:	Under-mount, 1256394-7, required, included

Notes

Install this product according to the installation guide.

Allow a minimum of 2" (51 mm) clearance around the sink rim for clip attachment.