

Features

- Panel contains 775 silicone concave nozzles.
- 2.0 gpm flow rate.
- Deluge function delivers approximately 0.5 gallons of water in 8 seconds at the push of a button.
- Deluge function is actuated with Real Rain Diverter Valve (in manual showers) or can be actuated directly with the DTV+ system.
- Center of the panel is designed as a rain-free zone to keep user's face dry and encourage easy breathing during regular use. Deluge function flows from center of the panel when actuated.

Material

- 19"x19" silicone panel provides wide coverage area with easy-to-clean nozzles.

Installation

- Mount flush to the surface of a drop ceiling.
- Easy-mount bracket and two panel system improve the installation process.
- Z-Bracket contains four leveling nuts to simplify installation.
- Real Rain Overhead Panel has 1/2" NPT Male water supply inlet.
- If using DTV+ system the user interface must be 99693-P-NA (99693-NA does not contain Real Rain Software).
- If using DTV Prompt system must include Real Rain Diverter Valve and Trim (K-76746 and K-76748) to actuate Deluge function.

Required Accessories

K-76732 Overhead Panel Trim
K-76746 Diverter Valve
K-76748 Diverter Valve Trim

or

K-76732 Overhead Panel Trim
K-99693-P Digital Interface
K-99694 Interface Mounting Bracket
K-99695 System Controller Module



Codes/Standards

ASME A112.18.1/CSA B125.1
DOE - Energy Policy Act 1992

KOHLER® Faucet Lifetime Limited Warranty

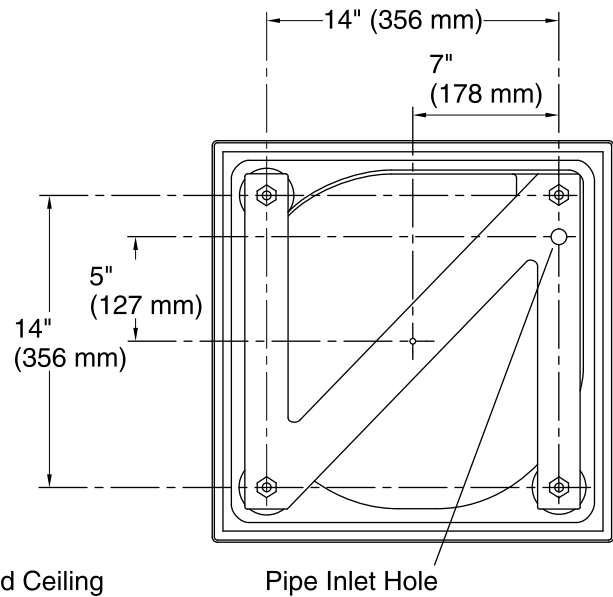
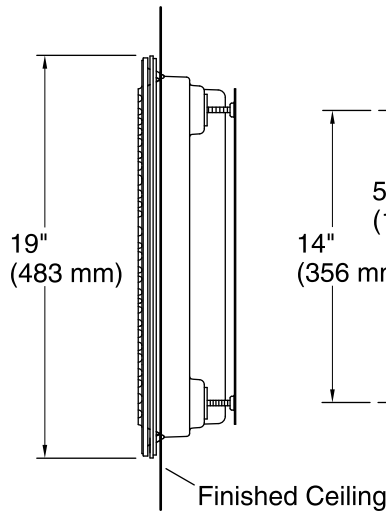
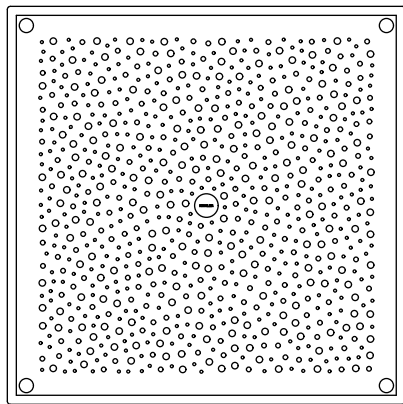
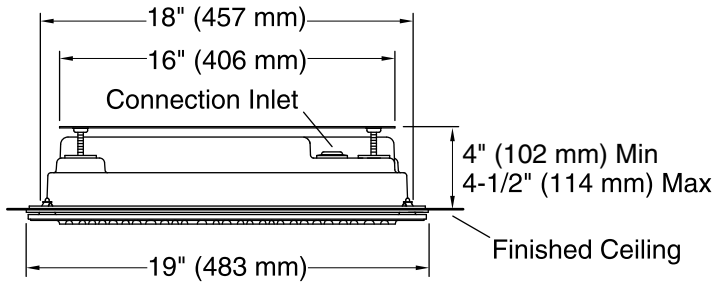
See website for detailed warranty information.

Available Color/Finishes

Color tiles intended for reference only.

Color	Code	Description
-------	------	-------------

	0	White
--	---	-------



Technical Information

All product dimensions are nominal.

Showerhead/Body Spray:

Rated maximum flow: 2 gal/min (7.6 l/min)

Pressure: 45 psi (3.1 bar)

Notes

For use with automatic compensating valves rated at 1.75 gal/min (6.6 l/min) or less.

Install this product according to the installation instructions.