

Features

- Advanced spray engine with easy-grip sprayface provides three alternate experiences: wide coverage, medium coverage, and concentrated spray.
- Water-saving spray option pauses water flow.
- Ergonomic sprayhead pivots to allow precise adjustment for a targeted hydromassage.
- MasterClean™ sprayface is easy to clean.
- 1.75 gpm (gallons per minute) hand shower flow rate.
- Includes K-9514 MasterShower® 60-inch metal shower hose, sidebar and trim, supply elbow, and vacuum breaker.
- Coordinates with Forté faucets and accessories.
- ADA non-positive shut off.

Material

- KOHLER finishes resist corrosion and tarnishing.
- This product can help a building earn Water Efficiency points in the LEED® Green Building Rating System.

Installation

- Wall-mount

Water Conservation & Rebates

- WaterSense®-labeled 1.75-gpm handshowers use up to 30 percent less water than standard 2.5-gpm handshowers while still meeting strict performance guidelines.



ADA

OBC

Codes/Standards

ASME A112.18.1/CSA B125.1

DOE - Energy Policy Act 1992

EPA WaterSense®

California Energy Commission (CEC)

ADA

ICC/ANSI A117.1

OBC

KOHLER® Faucet Lifetime Limited Warranty

See website for detailed warranty information.

Available Color/Finishes

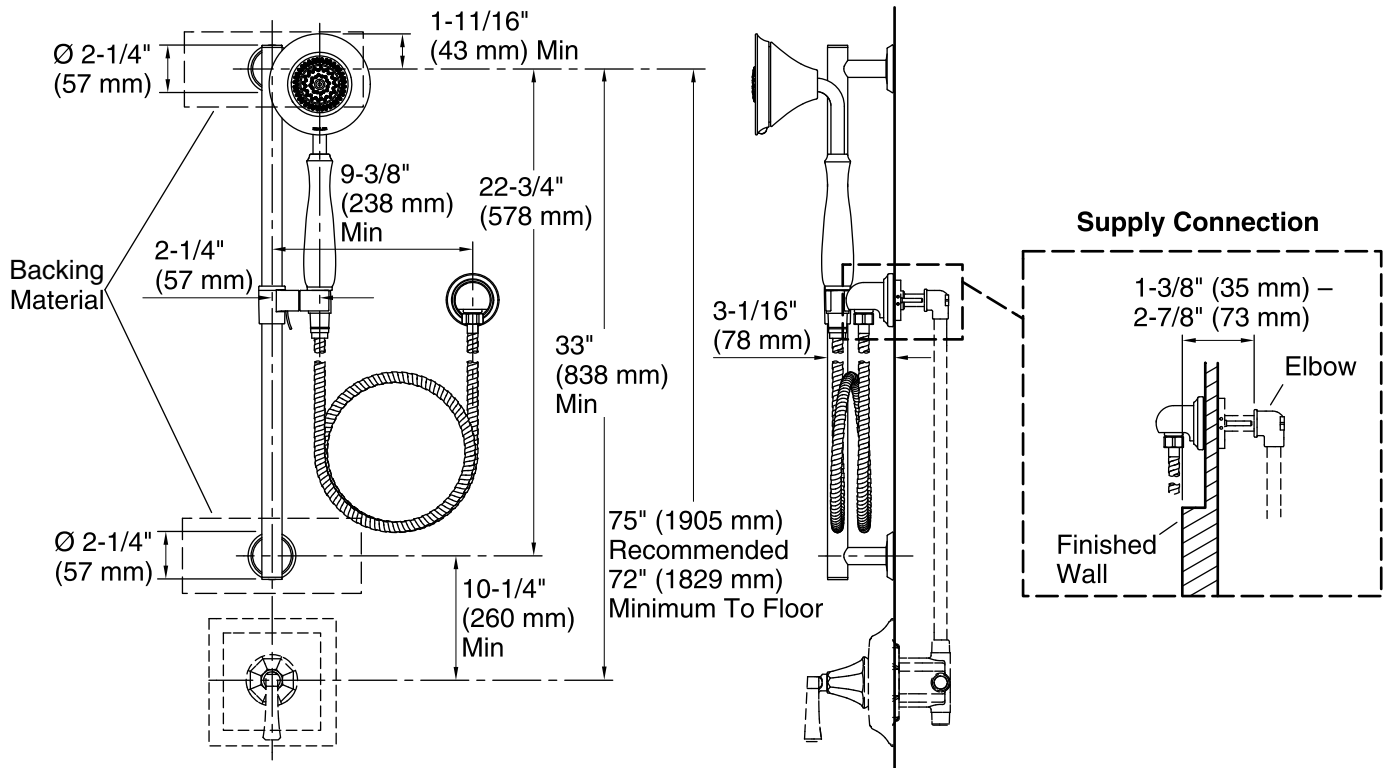
Color tiles intended for reference only.

| Color | Code | Description |
|-------|------|-------------|
|-------|------|-------------|



| | |
|----|-----------------|
| CP | Polished Chrome |
|----|-----------------|

| | |
|----|-------------------------|
| BN | Vibrant® Brushed Nickel |
|----|-------------------------|



NOTE: Valve trim illustrated for dimensioning only, not included in the product.

Technical Information

All product dimensions are nominal.

Handshower:

Rated maximum flow: 1.75 gal/min (6.6 l/min)

Notes

Install this product according to the installation guide.

IMPORTANT! The sidebar must be mounted to stud framing at both the top and bottom mounting locations. Do not use or depend on plastic wall anchors to attach the sidebar.

Plumbing codes may require that an atmospheric vacuum breaker be installed in-line to handshowers. Consult with local codes.

ADA, OBC compliant when installed to the specific requirements of these regulations.