

### Features

- Fixture-mount design.

### Material

- Durable brass construction.
- Chloramine resistance on all rubber components exposed to waterway.

### Technology

- Non-hold open piston technology for accurate activation.

### Installation

- Intended for urinal installations with 3/4" top spud coupling connection.
- Includes vacuum breaker and control stop.
- Self-cleaning brass piston prevents clogging and reduces maintenance.



ADA

CSA B651

OBC

### Codes/Standards

ASSE 1037/ASME A112.1037/CSA B125.37  
ADA  
ICC/ANSI A117.1  
CSA B651  
OBC

### KOHLER® One-Year Limited Warranty

See website for detailed warranty information.

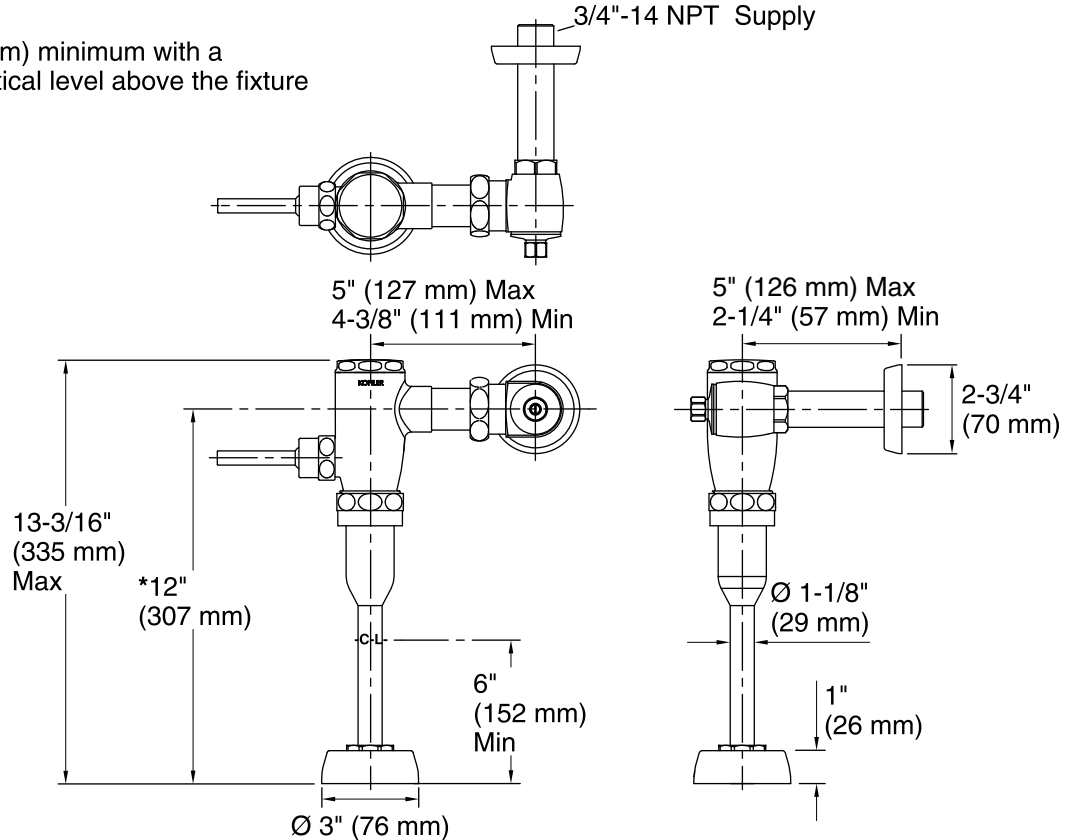
### Available Color/Finishes

*Color tiles intended for reference only.*

Color	Code	Description
-------	------	-------------

	CP	Polished Chrome
--	----	-----------------

\*10-3/4" (273 mm) minimum with a  
6" (152 mm) critical level above the fixture



### Technical Information

All product dimensions are nominal.

### Pressure and Supply Requirements

Fixture pressure min 25 psi (172.4 kPa)  
(static):

Fixture flow rate min: 9 gpm (34.1 lpm)

Fixture pressure max 80 psi (551.6 kPa)  
(static):

### Notes

Install this product according to the installation guide.

ADA, OBC, CSA B651 compliant when installed to the specific requirements of these regulations.