

### Features

- Two quarter-turn washerless ceramic disc valves.
- Ceramic disc valves exceed industry longevity standards, ensuring durable performance for life.
- High-arch gooseneck swing spout and 360-degree spout rotation offer superior clearance for filling pitchers and cleaning.
- 7" (178 mm) swing spout reach.
- Two lever handles offer separate control of hot and cold water.
- Coordinates with other products in the HiRise collection
- 1.8 gpm (gallons per minute) maximum flow rate at 60 psi.
- Meets CalGreen requirements for kitchen faucets.

### Material

- Stainless steel construction.
- KOHLER finishes resist corrosion and tarnishing.

### Installation

- For single-hole installation.
- Flexible supply lines simplify installation.

### Recommended Accessories

K-7344-4 Independent Sidespray  
K-7346



ADA

### Codes/Standards


ASME A112.18.1/CSA B125.1  
NSF 61  
NSF 372  
All applicable US Federal and State material regulations  
DOE - Energy Policy Act 1992  
ADA  
ICC/ANSI A117.1

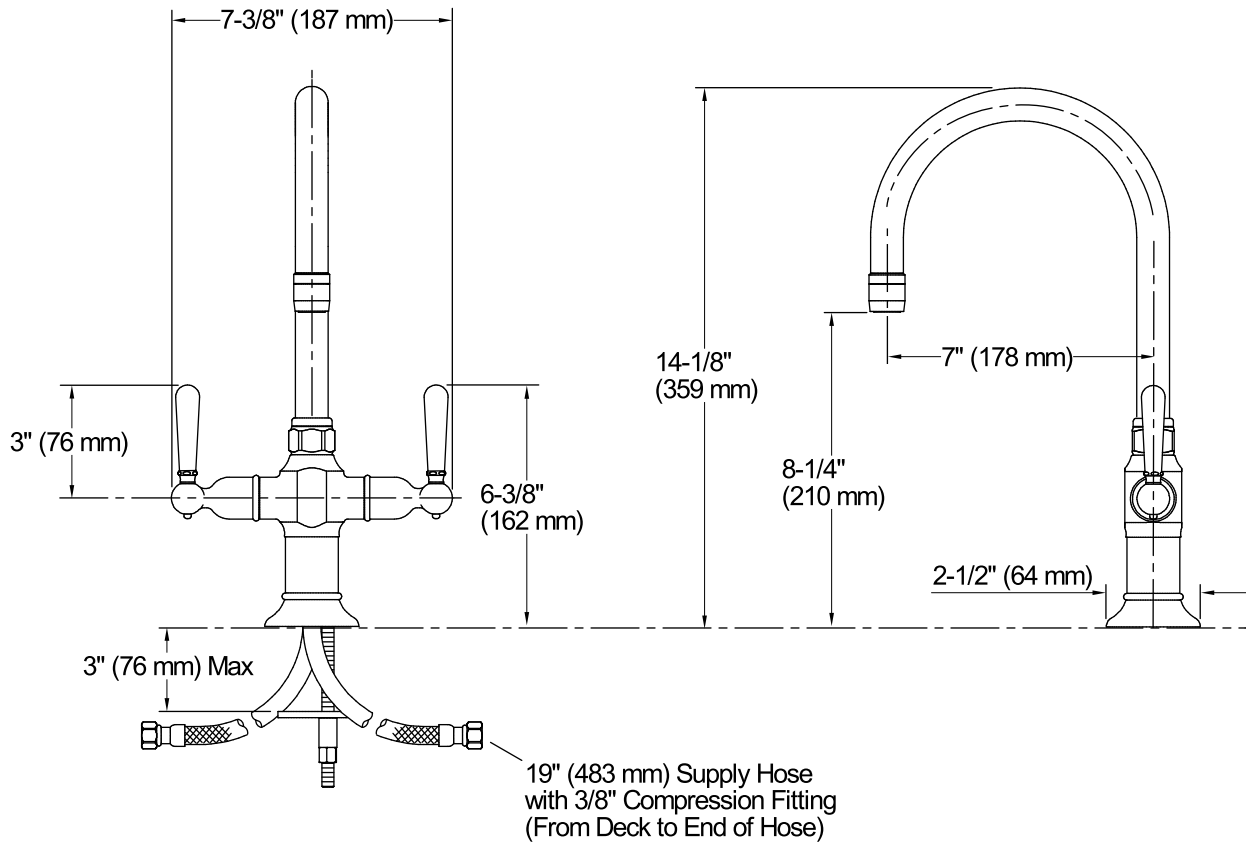
### KOHLER® Faucet Lifetime Limited Warranty

See website for detailed warranty information.

### Available Color/Finishes

*Color tiles intended for reference only.*

Color	Code	Description
	S	Polished Stainless
	BS	Brushed Stainless



### Technical Information

All product dimensions are nominal.

#### Spout:

Spout reach: 7" (178 mm)

Handle clearance: 3" (76 mm)

#### Faucet:

Flow rate: 1.8 gal/min (6.8 l/min)

Pressure: 60 psi (4.1 bar)

### Notes

Install this product according to the installation guide.

ADA compliant when installed to the specific requirements of these regulations.