

#### Features

- Showerhead features transitional design, inspired by nature.
- Advanced spray engine provides four spray experiences: full coverage, drenching rain, intense massage and soft silky spray.
- Full coverage spray produces an encompassing spray for everyday use and utilizes air induction to create large, full drops.
- Drenching rain delivers a soothing circular water pattern.
- Intense massage spray targets sore muscles to ease away aches and pains.
- Soft silky spray releases a dense, luxurious downpour of water.
- Full 360 degree rotation of entire sprayface cycles through spray functions.
- Silicone sprayface is easy to clean.
- 1/2" -14 NPT connection.

#### Material

- KOHLER finishes resist corrosion and tarnishing.

#### Installation

- Showerarm required for wall-mount installation.

#### Water Conservation & Rebates

- WaterSense®-labeled 2.0-gpm showerheads use up to 20 percent less water than standard 2.5-gpm handshowers, while still meeting strict performance guidelines.
- This product can help a building earn Water Efficiency points in the LEED® Green Building Rating System.



#### Codes/Standards

ASME A112.18.1/CSA B125.1

DOE - Energy Policy Act 1992

EPA WaterSense®

California Energy Commission (CEC)

#### KOHLER® Faucet Lifetime Limited Warranty

See website for detailed warranty information.

#### Available Color/Finishes

*Color tiles intended for reference only.*

Color	Code	Description
-------	------	-------------



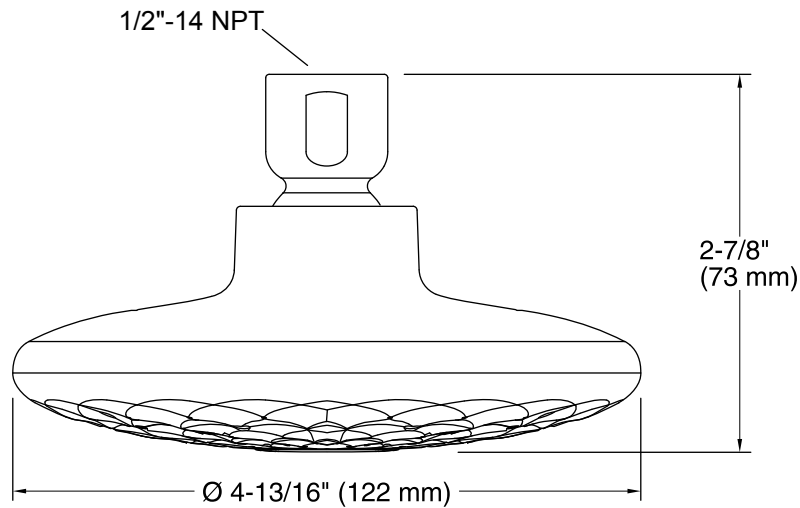
CP Polished Chrome



SN Vibrant® Polished Nickel



BN Vibrant® Brushed Nickel



**Technical Information**

All product dimensions are nominal.

**Showerhead:**

Rated maximum flow: 2 gal/min (7.6 l/min)

**Notes**

Install this product according to the installation guide.