

### Features

- 17-gauge brass construction.
- Brass tailpiece.
- Adjustable trip lever pop-up drain.
- Supports both above- and through-the-floor installations.
- For use with Iron Works Historic™ baths.



### Codes/Standards

ASME A112.18.2/CSA B125.2

### KOHLER® Faucet Lifetime Limited Warranty

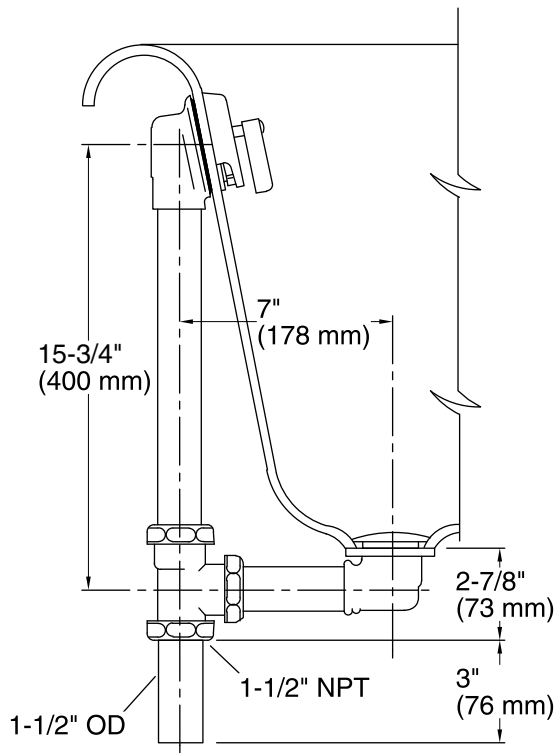
See website for detailed warranty information.

### Available Color/Finishes

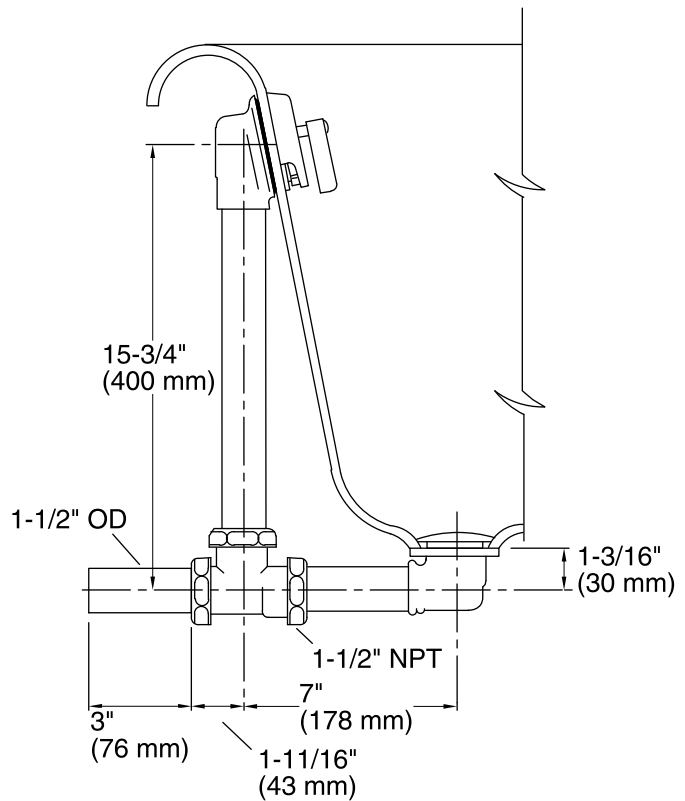
*Color tiles intended for reference only.*

Color	Code	Description
-------	------	-------------

	CP	
	SN	
	BN	
	2BZ	
	BKB	



**Through-the-Floor**



**Above-the-Floor**

**Technical Information**

All product dimensions are nominal.

**Notes**

Install this product according to the installation guide.