

Features

- Frameless, 1/4-inch-thick Crystal Clear tempered glass.
- Innovative roller design simplifies installation and provides out-of-plumb adjustability while glass is installed.
- Cushioned center guide provides quiet sliding action.
- Gently curved towel bars, inside and outside, provide integrated storage on the door.
- CleanCoat™ glass treatment repels water for improved ease of cleaning.

Installation

- Sliding bath door.

Components

Additional included component/s: Hardware kit.



Codes/Standards

CPSC 16CFR 1201
ANSI Z97.1

KOHLER® One-Year Limited Warranty

See website for detailed warranty information.

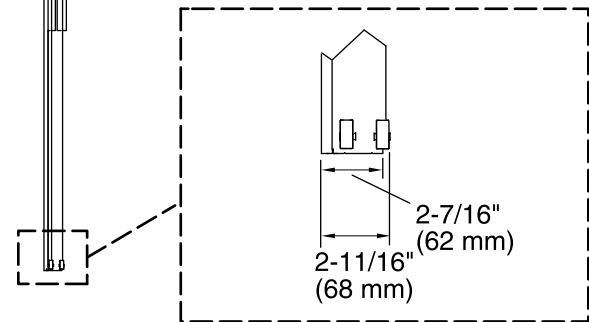
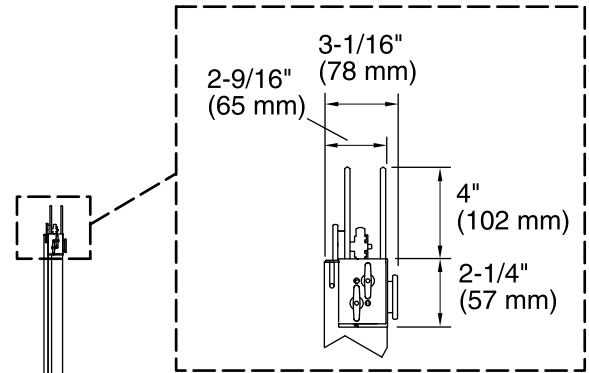
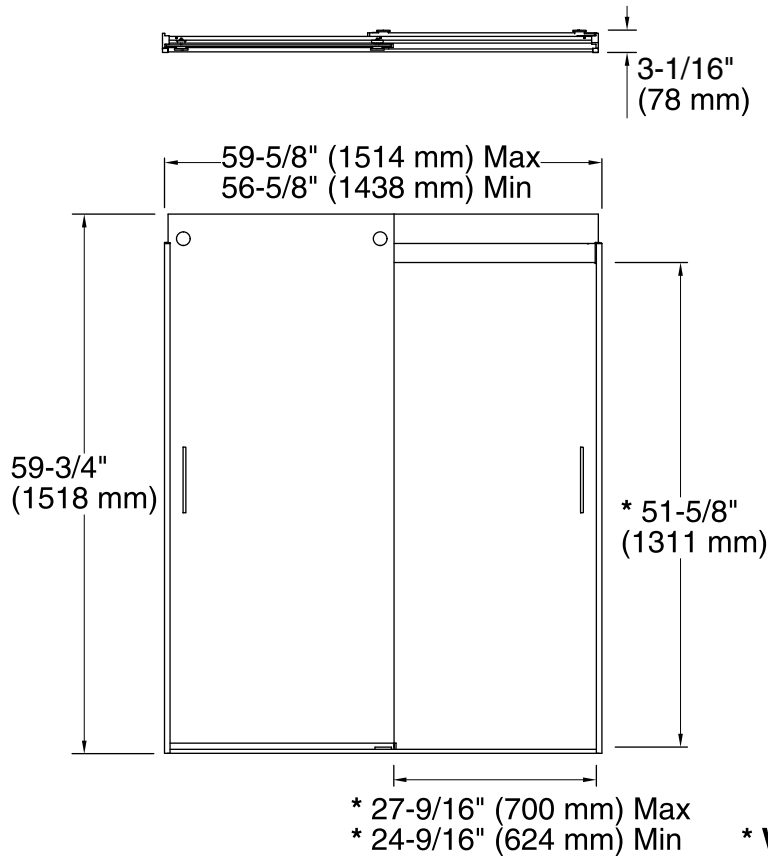
Available Color/Finishes

Color tiles intended for reference only.

Color	Code	Description
	SH	Bright Silver
	MX	Matte Nickel
	ABV	Anodized Brushed Bronze
	ABZ	Anodized Dark Bronze

Available Glass Options

Code	Description
L	Crystal Clear



*** Walk-through**

Technical Information

All product dimensions are nominal.

- Installation type: For bath installation
- Opening style: Sliding/Bypass
- Opening Width - Min: 56-5/8" (1438 mm)
- Opening Width - Max: 59-5/8" (1514 mm)
- Walk-through - Min: 24-9/16" (624 mm)
- Walk-through - Max: 27-9/16" (700 mm)
- Glass thickness: 1/4" (6 mm)
- Glass coating: CleanCoat®

Notes

- Install this product according to the installation guide.
- If replacing a shower door, the narrow wall jamb design of this door may not cover the existing shower door holes.
- The vertical opening should be a minimum of 62-1/4" (1581 mm) to allow for installation clearance.