

Features

- Vitreous china.
- Floor-mount.
- Square basin.
- Siphon jet flushing rim.
- 1.5-inch top spud.
- 2.5-inch trapway.
- 26-5/8" (676 mm) x 21" (533 mm) x 20" (508 mm)

Recommended Accessories

K-8935 Stainless Steel Rim Guard
21401 Closet bolt assembly

Components

Additional included component/s: 1.5" spud, and bolt caps (1 pair).



Codes/Standards

ASME A112.19.2/CSA B45.1


KOHLER® One-Year Limited Warranty

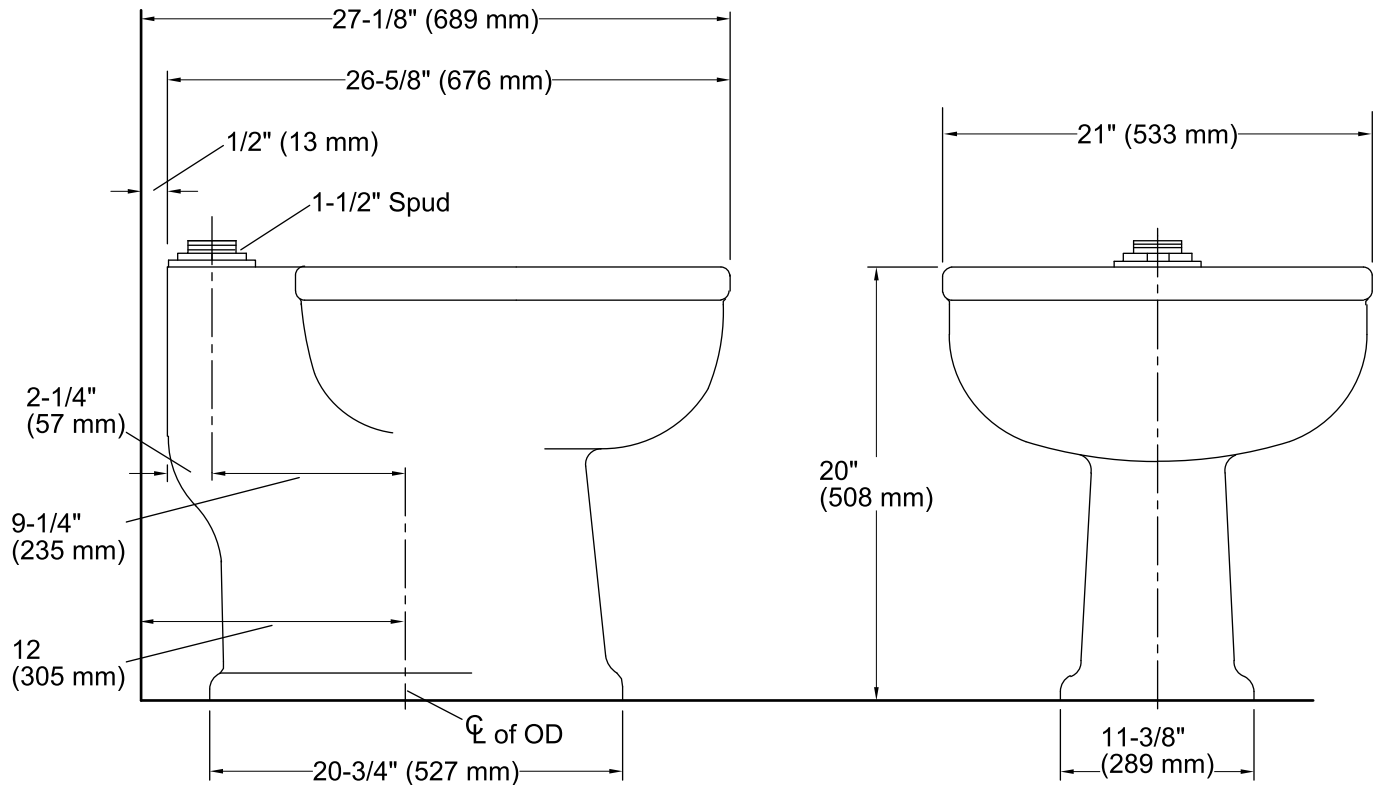
See website for detailed warranty information.

Available Color/Finishes

Color tiles intended for reference only.

Color	Code	Description
-------	------	-------------

	0	White
--	---	-------



Technical Information

All product dimensions are nominal.

Bowl configuration:	Single
Installation:	Standalone, Standalone
Bowl area (Only)	Length: 17" (432 mm) Width: 17" (432 mm) Water depth: 7-5/8" (194 mm)
Drain hole:	2-5/8" (67 mm)

Notes

Install this product according to the installation instructions.