

Features

- 36-inch minimum base cabinet width.
- KOHLER cast iron.
- Acid-resistant enamel finish.
- Under-mount.
- Double equal bowls.
- Three oversized faucet holes with one oversized accessory hole to the right and one oversized accessory hole to the left.
- 33" (838 mm) x 22" (559 mm)

Recommended Accessories

K-9000 P-Trap

Optional Accessories

K-5807 36" Under-mount Sink Kit

K-8801 Sink Strainer

Components

Product includes:

K-6545 Sponge Caddy

K-6640 Sink Rack

K-6659 Sink Rack

1054375 Under-mount Sink Kit, 23"



Codes/Standards

ASME A112.19.1/CSA B45.2

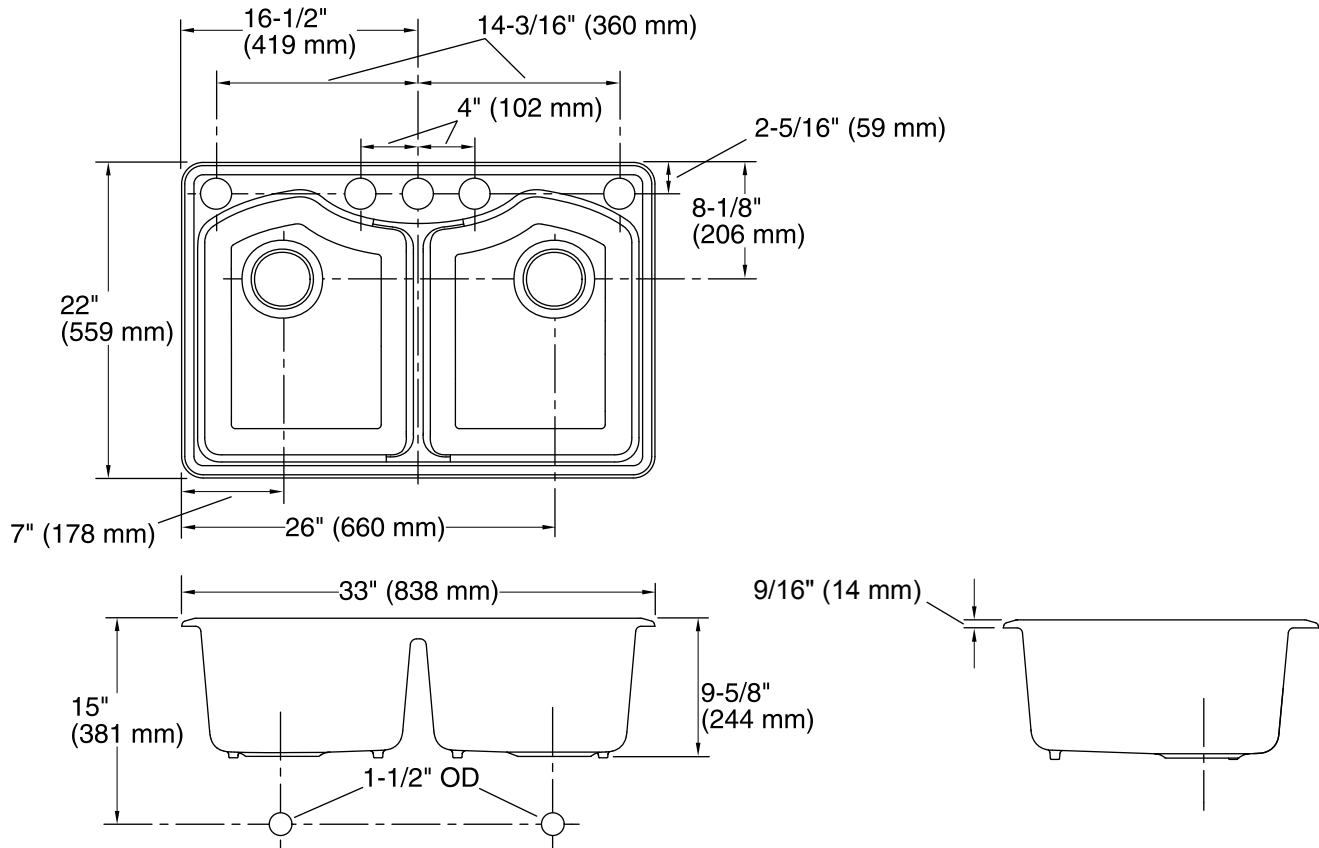
KOHLER® Enameled Cast Iron Kitchen Sink - Lifetime Limited Warranty

See website for detailed warranty information.

Available Color/Finishes

Color tiles intended for reference only.

Color	Code	Description
	0	White
	20	Suede
	33	Mexican Sand™
	47	Almond
	58	Thunder™ Grey
	7	Black Black™
	95	Ice™ Grey
	96	Biscuit
	FD	Cane Sugar™
	FF	Sea Salt™
	FP	Caviar
	FT	Basalt
	G9	Sandbar
	K4	Cashmere
	KA	Black 'n Tan
	NY	Dune



Technical Information

All product dimensions are nominal.

Bowl configuration:	Double equal
Installation:	Under-mount
Bowl area (Left)	Length: 14-1/16" (357 mm) Width: 18" (457 mm) Bowl depth: 9" (229 mm)
Bowl area (Right)	Length: 14-1/16" (357 mm) Width: 18" (457 mm) Bowl depth: 9" (229 mm)
Number of deck holes:	5
Faucet hole(s):	2-3/8" (60 mm)
Drain hole:	3-7/8" (98 mm)
Template:	Under-mount, 1159401-7, required, included

Notes

Install this product according to the installation guide.

NOTICE: Countertop manufacturer or cutter must use the cut-out template provided with the product, or a current one provided by Kohler Co. (call 1-800-4-KOHLER). Kohler Co. is not responsible for cutout errors when the incorrect cut-out template is used.