

**WALL-MOUNT KITCHEN SINK
FAUCET
K-6228**

ADA

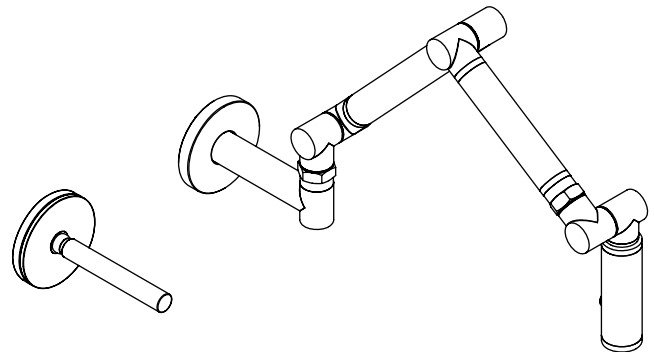
Features

- Metal construction
- One-piece, self-contained ceramic disc valve allows both volume and temperature control
- Lower flow aerator options are available (refer to the Kohler Price Book)
- 2.2 gpm (8.3 lpm) maximum flow rate
- 2" (5.1 cm) diameter valve with lever handles
- 1-1/2" (3.8 cm) to 13-1/4" (33.7 cm) spout reach
- For wall-mount installation

Codes/Standards Applicable

Specified model meets or exceeds the following:

- ADA
- ASME A112.18.1/CSA B125.1
- ICC/ANSI A117.1
- NSF 61
- Energy Policy Act of 1992



Colors/Finishes

- CP: Polished Chrome
- VS: Stainless Steel
- Other: Refer to Price Book for additional colors/finishes

Specified Model

Model	Description	Colors/Finishes
K-6228	Wall-mount kitchen sink faucet	<input type="checkbox"/> CP <input type="checkbox"/> VS <input type="checkbox"/> Other ____

Product Specification

The wall-mount kitchen sink faucet shall be made of metal construction. Product shall have a maximum flow rate of 2.2 gallons (8.3 L) per minute with lower flow aerator options available (refer to the Kohler Price Book). Product shall feature a one-piece, self-contained ceramic disc valve, which allows both volume and temperature control. Product shall feature a 2" (5.1 cm) diameter valve with lever handles and a 1-1/2" (3.8 cm) to 13-1/4" (33.7 cm) spout reach. Product shall be for a wall-mount installation. Faucet shall be Kohler Model K-6228-____.

KARBON™

Installation Notes



WARNING: Risk of property damage. For exterior wall installations, ensure proper wall insulation to prevent frozen pipes.

NOTICE: Do not locate the faucet in close proximity to a direct heat source or use the faucet as a pot filler. Exposure to excessive heat will damage the integral sprayhead and spout joints and may cause severe discoloration to the carbon fiber tubing.

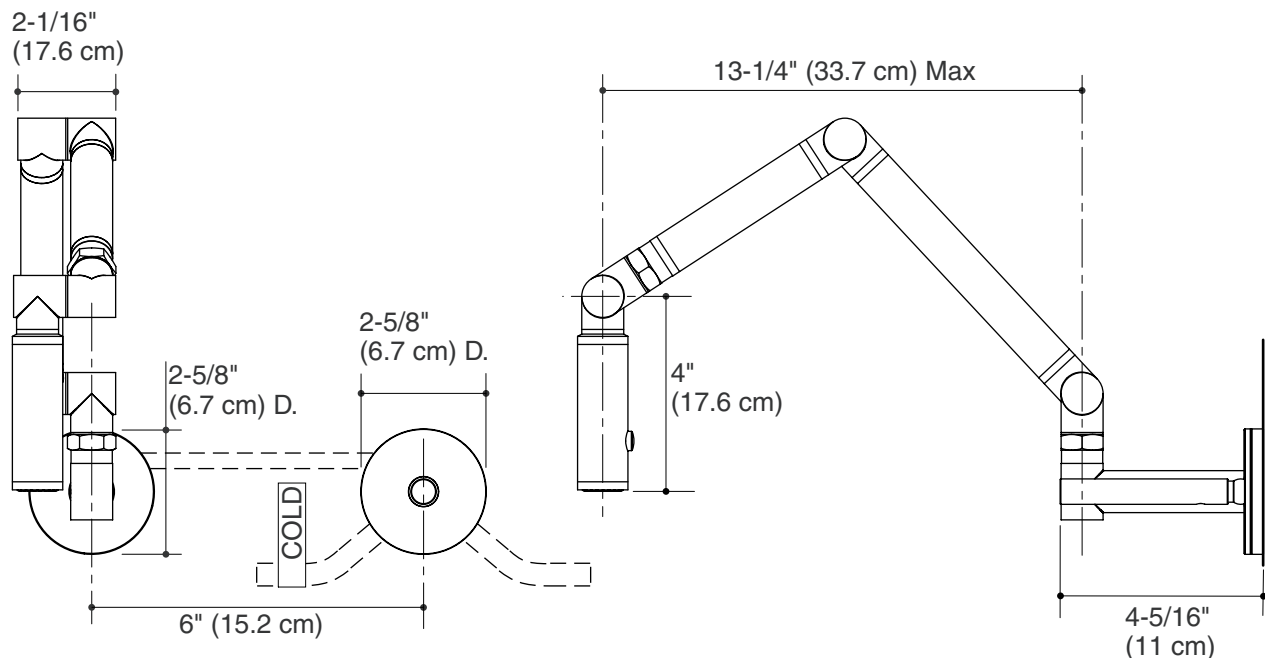
Special framing and support considerations are required to mount the wall-mount valve.



WARNING: Risk of property damage. Before finishing the wall, ensure the supply lines are connected to the mixer valve with the **cold** supply line plumbed on the **left** and the **hot** supply line plumbed on the **right**. Doing so will avoid replacing the finished wall due to error.

Install this product according to the installation guide.

One 2-1/8" (5.4 cm) diameter cutout hole is required for the valve. One 1" (2.5 cm) diameter cutout hole is required for the spout.



Product Diagram