

Features

- Freestanding design creates a striking focal point in your bathing area.
- Dual lumbar supports two-person bathing by offering comfort at both ends
- Wide ledge on one side is ideal for deck-mount faucet and/or handshower.
- Slotted overflow allows for deep soaking. Requires K-7271 or K-7272 Clearflo slotted overflow bath drain (sold separately).
- Center drain.
- 120 airjets release thousands of bubbles that surround, support, and massage the body.
- Variable-speed blower lets you adjust massage intensity to 18 levels.
- Bask® heated surface creates spa-like relaxation with soothing warmth on your back, shoulders, and neck.
- Three heat settings allow you to customize the surface temperature.

Material

- KOHLER ExoCrylic® material offers 30% lighter product weight for easier installation.*
- 90% fewer VOCs* (volatile organic compounds) produced during manufacturing.
- *Compared to KOHLER Brand Acrylic FRP

Hydrotherapy

- BubbleMassage

Installation

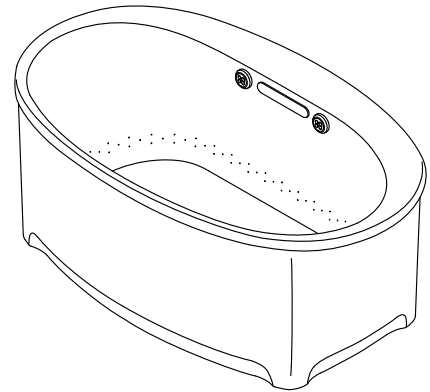
- Freestanding

Required Accessories

K-7271 Slotted Overflow Bath Drain

or

K-7272 Slotted Overflow Bath Drain



Codes/Standards

ASME A112.19.7/CSA B45.10
CSA B45.5/IAPMO Z124
UL 1795
CARB P2

KOHLER® One-Year Limited Warranty

See website for detailed warranty information.

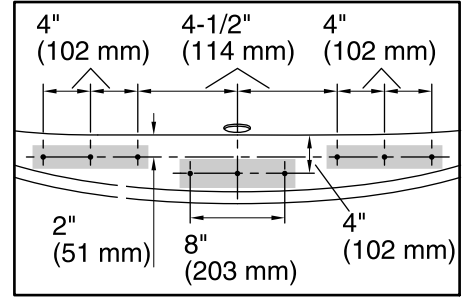
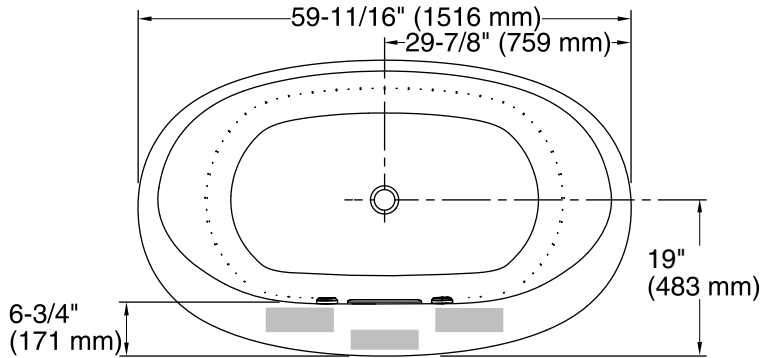
Available Color/Finishes

Color tiles intended for reference only.

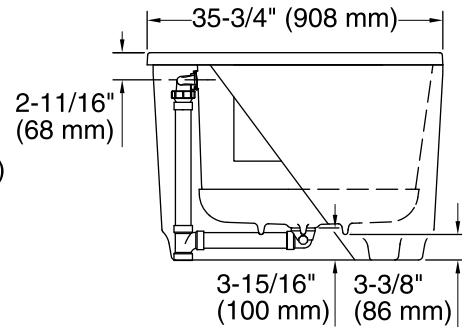
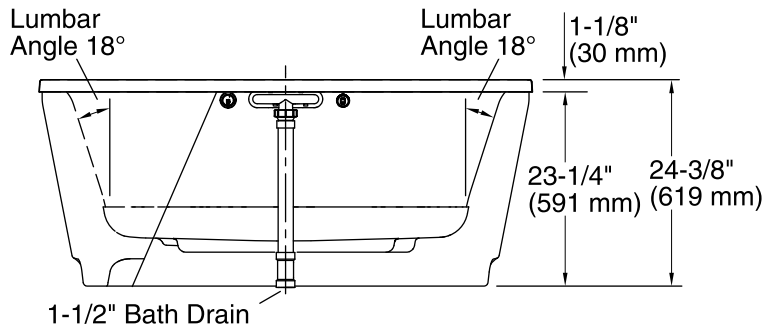
Color	Code	Description
	0	White
	47	Almond
	96	Biscuit
	G9	Sandbar
	NY	Dune

No change in measurements if connected with drain illustrated. (K-7272)

Faucet area.



**Faucet Hole Locations
(For KOHLER® Brand Only)**



Required Electrical Service

One dedicated circuit required, protected with Class A Ground-Fault Circuit-Interrupter (GFCI) or Residual Current Device (RCD).

Blower, Heated 120 V, 15 A, 60 Hz, 300 W
Surface:

Technical Information

All product dimensions are nominal.

Installation:	Freestanding
Drain location:	Reversible
Basin area, bottom:	43" x 25-5/8" (1093 mm x 651 mm)
Basin area, top:	55-9/16" x 28-3/8" (1411 mm x 720 mm)
Weight:	100 lbs (45.4 kg)
Minimum floor load:	45.4 lbs/ft ² (221.7 kg/m ²)
Water depth:	16-5/16" (415 mm)
Water capacity:	72.017 gal (272.6 L)
Electrical rating:	Blower: 120 V, 10 A, 60 Hz, 300 W Heated Surface: 120 V, 0.5 A, 60 Hz, 65 W
Pump speed:	Variable

Notes

Measure your actual product for roughing-in details.

Install this product according to the installation guide.

Hot water supply should be 70% of capacity or greater. Installations will vary.

Locate a GFCI-protected 120 V, 15 A grounded electrical outlet within 24" (610 mm) of the blower motor.

Locate the bath within 24" (610 mm) of a second GFCI-protected 120 V, 15 A grounded electrical outlet.