

### Features

- Freestanding design creates a striking focal point in your bathing area.
- Dual lumbar supports two-person bathing by offering comfort at both ends.
- Wide ledge on one side is ideal for deck-mount faucet and/or handshower.
- Slotted overflow allows for deep soaking. Requires K-7271 or K-7272 Clearflo slotted overflow bath drain (sold separately).
- Center drain.
- 120 airjets release thousands of bubbles that surround, support, and massage the body.
- Variable-speed blower lets you adjust massage intensity to 18 levels.

### Material

- KOHLER ExoCrylic® material offers 30% lighter product weight for easier installation.\*
- 90% fewer VOCs\* (volatile organic compounds) produced during manufacturing.
- \*Compared to KOHLER Brand Acrylic FRP.

### Hydrotherapy

- BubbleMassage

### Installation

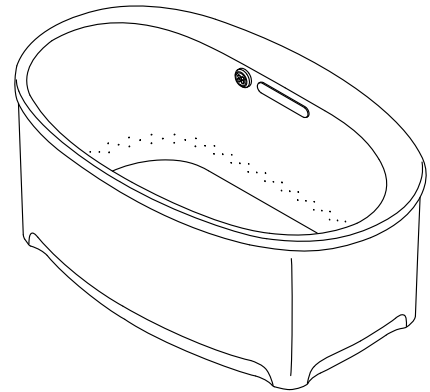
- Freestanding

### Required Accessories

K-7271 Slotted Overflow Bath Drain

or

K-7272 Slotted Overflow Bath Drain



### Codes/Standards

ASME A112.19.7/CSA B45.10

CSA B45.5/IAPMO Z124

UL 1795






CARB P2

### KOHLER® One-Year Limited Warranty

See website for detailed warranty information.

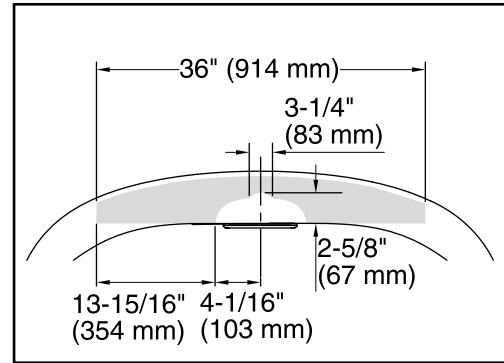
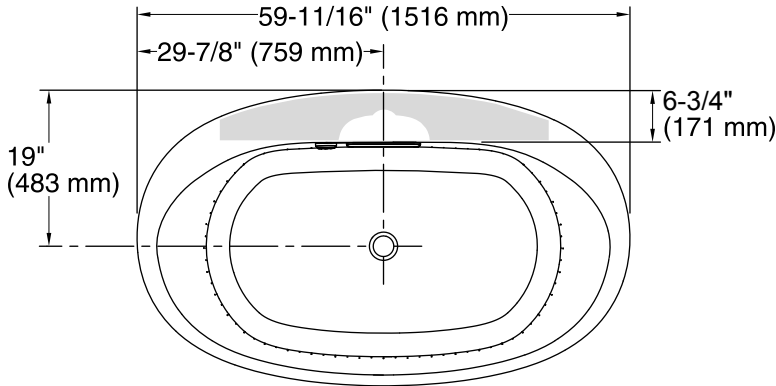
### Available Color/Finishes

*Color tiles intended for reference only.*

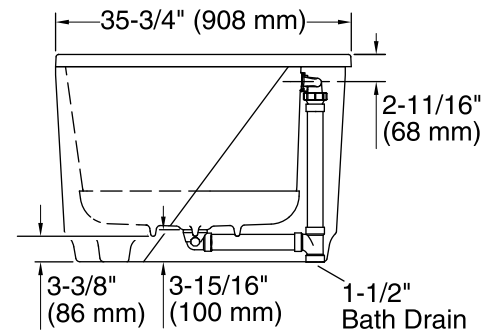
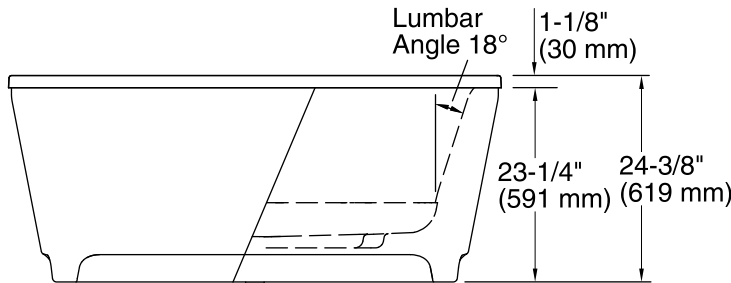
| Color  | Code | Description |
|--|------|-------------|
|  | 0    | White       |
|  | 96   | Biscuit     |
|  | 47   | Almond      |
|  | NY   | Dune        |
|  | G9   | Sandbar     |

No change in measurements if connected with drain illustrated. (K-7272)

Recommended faucet area.



**Recommended Faucet Area Detail**



### Required Electrical Service

One dedicated circuit required, protected with Class A Ground-Fault Circuit-Interrupter (GFCI) or Residual Current Device (RCD).

Blower: 120 V, 15 A, 60 Hz, 300 W

### Technical Information

All product dimensions are nominal.

Installation: Freestanding  
 Drain location: Reversible  
 Basin area, bottom: 43" x 25-5/8" (1093 mm x 651 mm)  
 Basin area, top: 55-9/16" x 28-3/8" (1411 mm x 720 mm)  
 Weight: 94.5 lbs (42.9 kg)  
 Minimum floor load: 45.4 lbs/ft<sup>2</sup> (221.7 kg/m<sup>2</sup>)  
 Water depth: 16-5/16" (415 mm)  
 Water capacity: 72.017 gal (272.6 L)  
 Electrical rating: Blower: 120 V, 10 A, 60 Hz, 300 W  
 Pump speed: Variable

### Notes

Measure your actual product for roughing-in details.

Install this product according to the installation guide.

Hot water supply should be 70% of capacity or greater. Installations will vary.

Locate a GFCI-protected 120 V, 15 A grounded electrical outlet within 24" (610 mm) of the blower motor.