



**Iron Plains**  
Wading Pool® Bathroom Sink  
**K-5403-W**



**ADA**

**Codes/Standards**

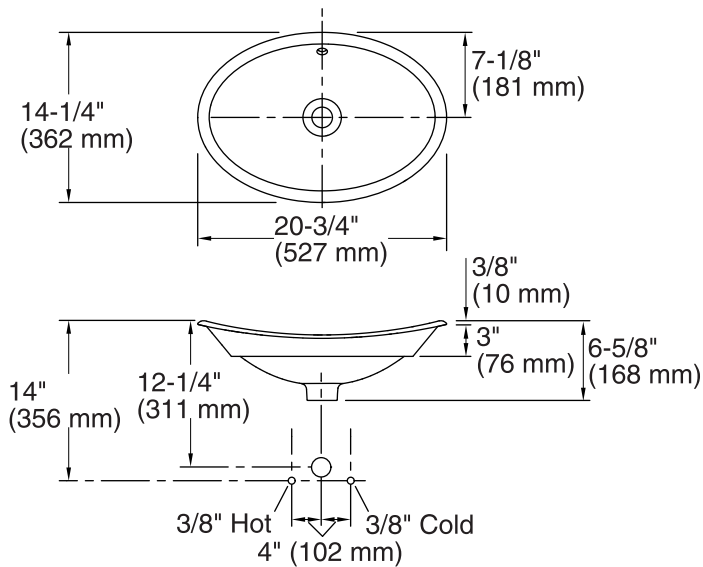
ASME A112.19.1/CSA B45.2

ADA

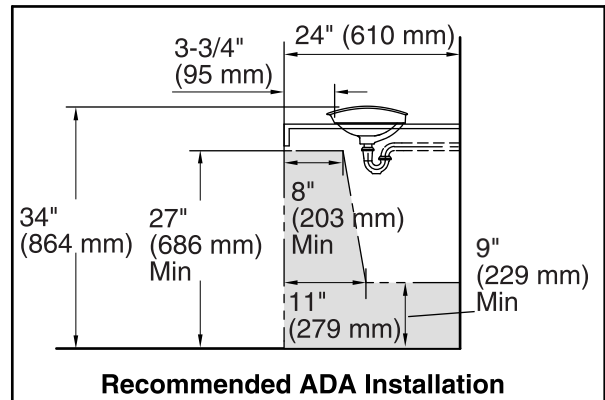
ICC/ANSI A117.1

**KOHLER® Lifetime Limited Warranty  
for Cast Iron Components**

See website for detailed warranty information.



**Standard Installation**



**Recommended ADA Installation**

### Technical Information

All product dimensions are nominal.

Bowl configuration:	Single
Installation:	Above-counter
Bowl area	Length: 19-3/4" (501 mm) Width: 13-1/4" (337 mm) Bowl depth: 4-15/16" (126 mm) With overflow: Yes Water depth: 2-1/4" (58 mm)
Bowl area	With overflow: Yes
Template:	Above-counter, 1222633-7, required, included

### Notes

Install this product according to the installation instructions.

**NOTICE:** Countertop manufacturer or cutter must use the cut-out template provided with the product, or a current one provided by Kohler Co. (call 1-800-4-KOHLER). Kohler Co. is not responsible for cutout errors when the incorrect cut-out template is used.

ADA compliant when installed to the specific requirements of these regulations.