



Iron Plains® Oval Wading Pool®

Wading Pool® Bathroom Sink

K-5403-P5

Features

- Above-counter installation
- With overflow

Material

- KOHLER enameled cast iron



ADA

Codes/Standards

ASME A112.19.1/CSA B45.2

ADA

ICC/ANSI A117.1

Lifetime Limited Warranty for KOHLER® Cast Iron Components

See website for detailed warranty information.

Available Color/Finishes

Color tiles intended for reference only.

Color	Code	Description
	0	White
	FF	Sea Salt™
	96	Biscuit
	FD	Cane Sugar™
	NY	Dune
	G9	Sandbar
	KC	Vapour™ Blue
	KG	Vapour™ Green
	K4	Cashmere
	FT	Basalt
	20	Suede
	KA	Black 'n Tan
	7	Black Black™

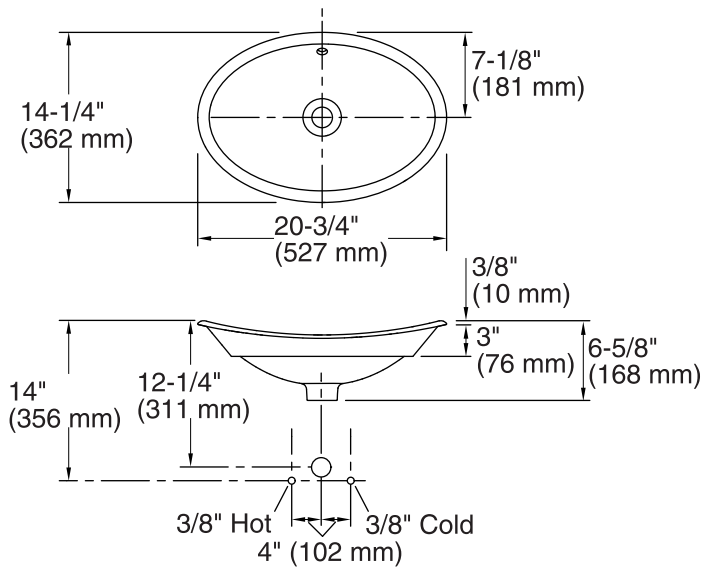
USA/Canada: 1-800-4KOHLER (1-800-456-4537)

Kohler Co. reserves the right to make revisions without notice to product specifications.

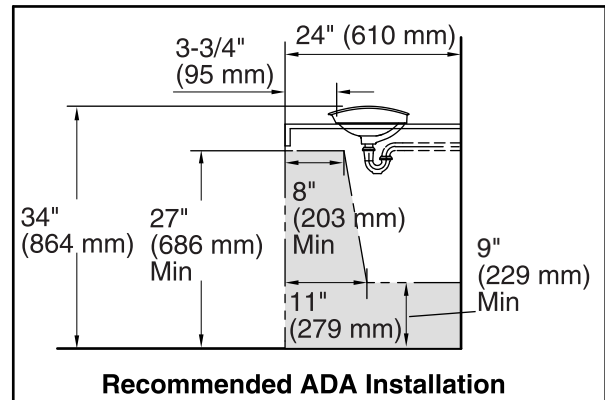
For the most current Specification Sheet, go to www.kohler.com.

2-12-2018 05:16

THE BOLD LOOK
OF **KOHLER**®



Standard Installation



Recommended ADA Installation

Technical Information

All product dimensions are nominal.

Bowl configuration:	Single
Installation:	Vessel
Bowl area:	Length: 19-3/4" (501 mm) Width: 13-1/4" (337 mm) Bowl depth: 4-15/16" (126 mm) With overflow: Yes Water depth: 2-1/4" (58 mm)
Bowl area:	With overflow: Yes
Template:	1222633-7, required, included

Notes

Install this product according to the installation instructions.

NOTICE: Countertop manufacturer or cutter must use the cut-out template provided with the product, or a current one provided by Kohler Co. (call 1-800-4-KOHLER). Kohler Co. is not responsible for cutout errors when the incorrect cut-out template is used.

ADA compliant when installed to the specific requirements of these regulations.