

## Features

- 36-inch minimum base cabinet width.
- Large/medium bowls.
- 9-inch depth.
- No faucet holes.
- Rear drain increases workspace in the sink and allows for more storage space underneath the sink.
- SilentShield® sound-absorption technology offers quieter performance.
- Includes a sink bridge utility shelf with dishcloth bar and a bottom basin rack.
- Includes installation hardware.

## Material

- Handcrafted from 16-gauge stainless steel.

## Installation

- Under-mount

## Components

Product includes:

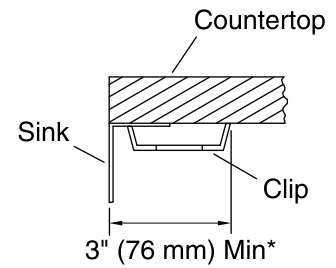
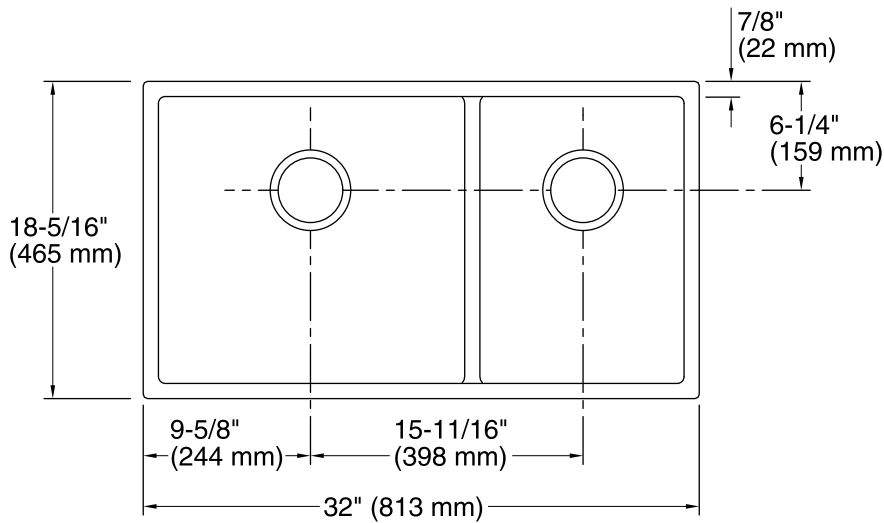
- K- 6429 Utility Rack
- K- 6646 Sink Rack



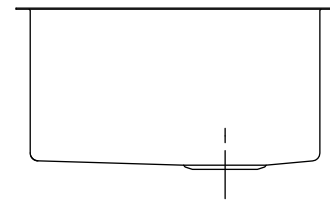
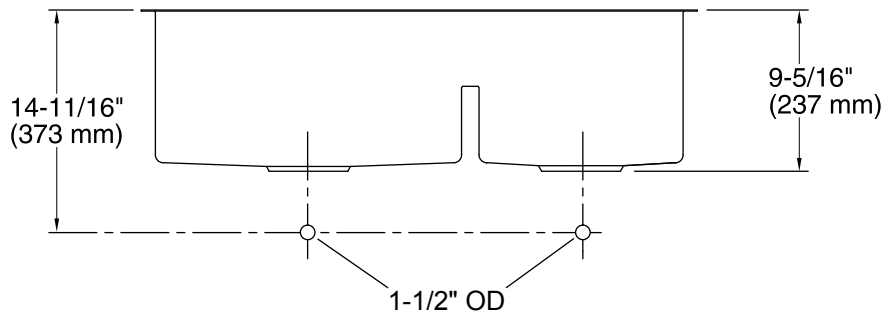
## Codes/Standards

ASME A112.19.3/CSA B45.4

See website for detailed warranty information.



\* Allow clearance around sink rim for clip attachment.



## Technical Information

All product dimensions are nominal.

Bowl configuration:	Offset
Bowl area (Left)	Length: 17-1/2" (445 mm) Width: 16-9/16" (420 mm) Bowl depth: 9" (229 mm) Water depth: 4-11/16" (118 mm)
Bowl area (Right)	Length: 11-5/8" (295 mm) Width: 16-9/16" (420 mm) Bowl depth: 9" (229 mm) Water depth: 4-11/16" (118 mm)
Drain hole:	3-3/4" (94 mm)
Template:	1207216-7, required, included

## Notes

Install this product according to the installation guide.