

### Features

- Single bowl.
- 9-inch depth.
- No faucet holes.
- Rear drain increases workspace in the sink and allows for more storage space underneath the sink.
- SilentShield® sound-absorption technology offers quieter performance.
- Includes a combination dishcloth bar/utility shelf and a bottom bowl rack.
- Includes installation hardware.

### Material

- Handcrafted from 16-gauge stainless steel.

### Installation

- Under-mount
- Minimum base cabinet width: 36" - 39" (36" may require cabinet modifications).

### Recommended Accessories

- K- 6667 Wood Cutting Board
- K- 8801 Sink Strainer

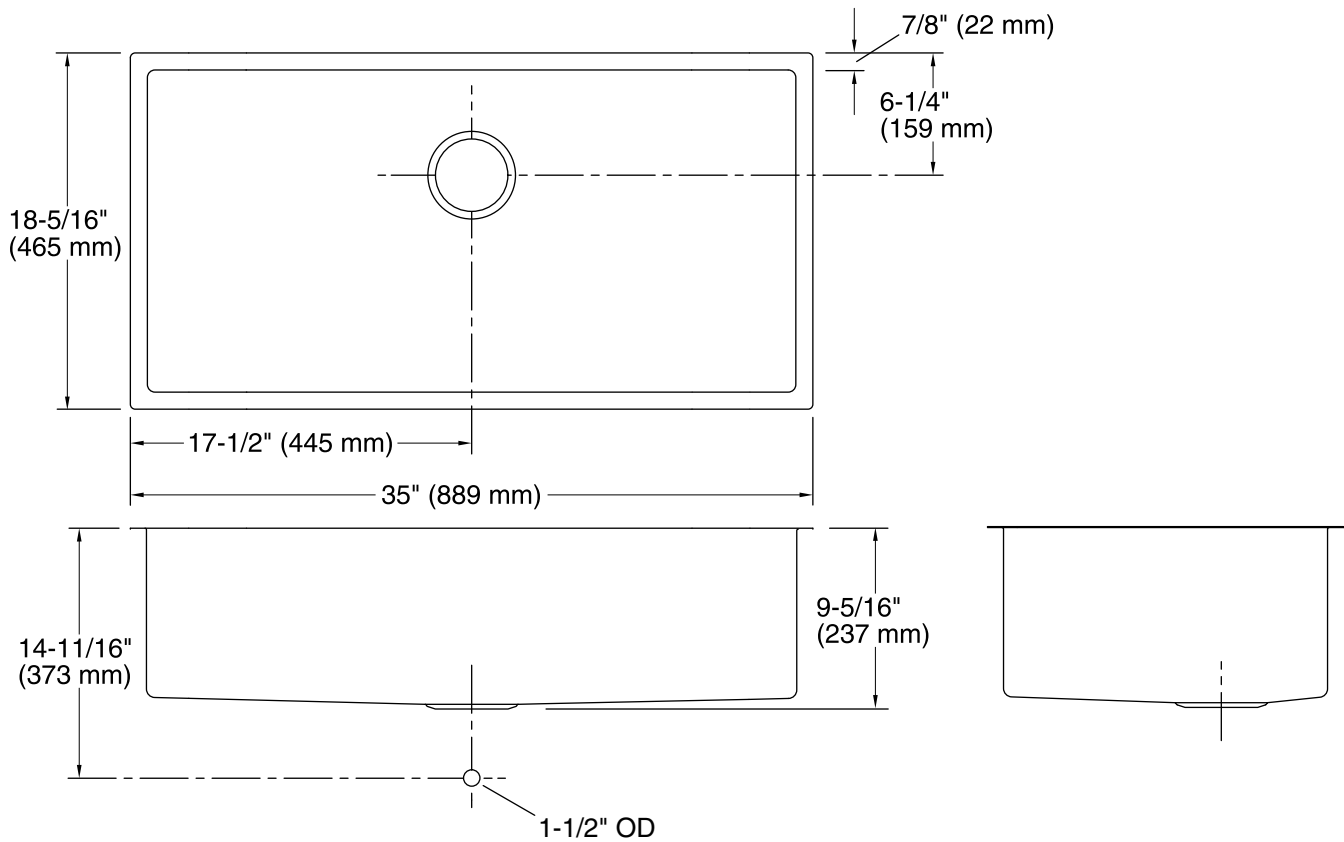


### Codes/Standards

ASME A112.19.3/CSA B45.4

### Lifetime Limited Warranty for KOHLER® Stainless Steel Sinks

See website for detailed warranty information.



## Technical Information

All product dimensions are nominal.

Bowl configuration:	Single
Bowl area (Only)	Length: 33-1/4" (845 mm) Width: 16-9/16" (420 mm) Bowl depth: 9" (229 mm) Water depth: 9" (229 mm)
Drain hole:	3-3/4" (94 mm)
Template:	Under-mount, 1220867-7, required, included

## Notes

Install this product according to the installation guide.

Minimum base cabinet width 36" - 39" (36" may require cabinet modifications). Consult an installer for confirmation.