

Features

- Flipstream® technology uses a single sprayhead for four unique, experiential spray patterns; Koverage™, Kotton™, Komotion™, and Kurrent™.
- Changing sprays is as easy as turning the head on its axis.
- 2.0 gal/min (7.6 l/min) maximum flow rate.
- 1/2" - 14 NPT connection.
- Showerarm and flange not included.

Water Conservation & Rebates

- WaterSense-labeled 2.0-gpm showerheads use up to 20 percent less water than standard 2.5-gpm showerheads while still meeting strict performance guidelines.
- This product can help a building earn Water Efficiency points in the LEED Green Building Rating System™.

Recommended Accessories

- K-7395 Shower Arm and Flange



Codes/Standards



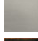

ASME A112.18.1/CSA B125.1
DOE - Energy Policy Act 1992
EPA WaterSense®
California Energy Commission (CEC)

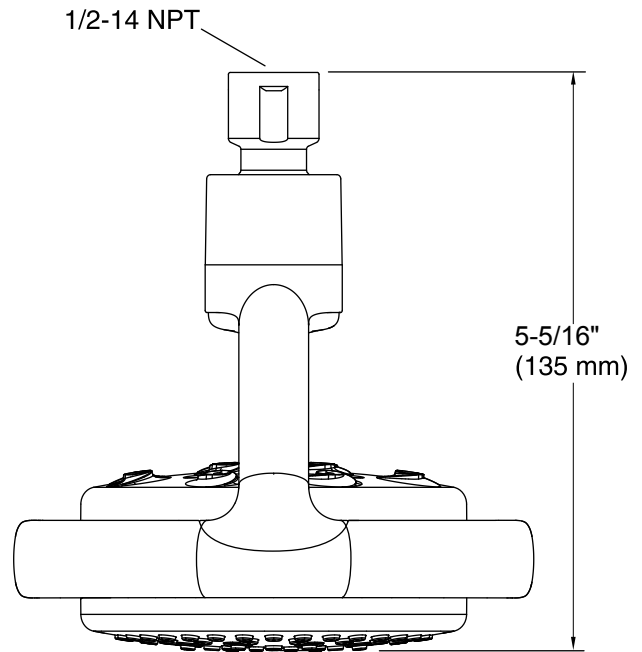
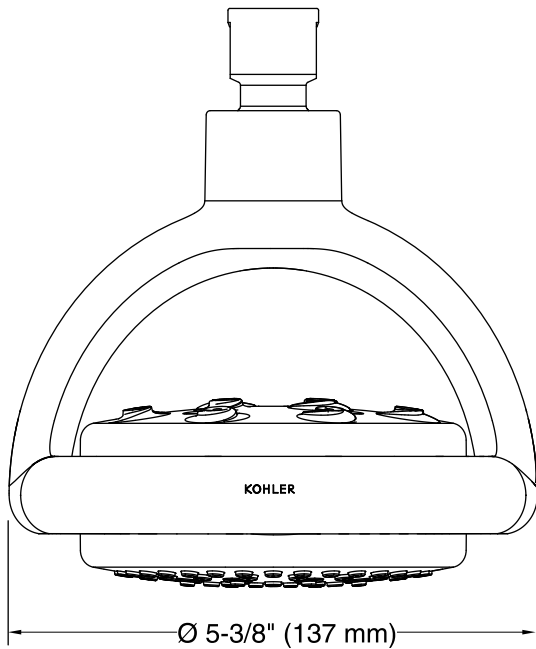
KOHLER® Faucet Lifetime Limited Warranty

See website for detailed warranty information.

Available Color/Finishes

Color tiles intended for reference only.

Color	Code	Description
	CP	Polished Chrome
	SN	Vibrant® Polished Nickel
	BN	Vibrant® Brushed Nickel
	2BZ	Oil-Rubbed Bronze



Technical Information

All product dimensions are nominal.

Showerhead/Body Spray:

Rated maximum flow: 2 gal/min (7.6 l/min)

Notes

Install this product according to the installation guide.