

Features

- Vitreous china.
- Includes K-4686 toilet seat with scalloped handhold locations for children.
- Available with white, primary yellow, primary red, or primary blue colored seats.
- 10" (254 mm) rough-in.
- 1-1/2" top spud.
- 1.6 gpf (6 lpf).
- 12-3/8" (314 mm) x 10-1/8" (257 mm) water area.
- 26-7/8" (683 mm) x 12-7/8" (327 mm) x 12" (305 mm).

Recommended Accessories

K-10674 Wave DC 1.6 GPF WC Flushometer
K-10957 Tripoint™ DC 1.6 GPF WC Flushometer
K-13516 Manual 1.6 GPF WC Flushometer

Components

Additional included component/s: Spud, Bolt cap accessory pack, and Seat.



Codes/Standards

ASME A112.19.2/CSA B45.1


KOHLER® One-Year Limited Warranty

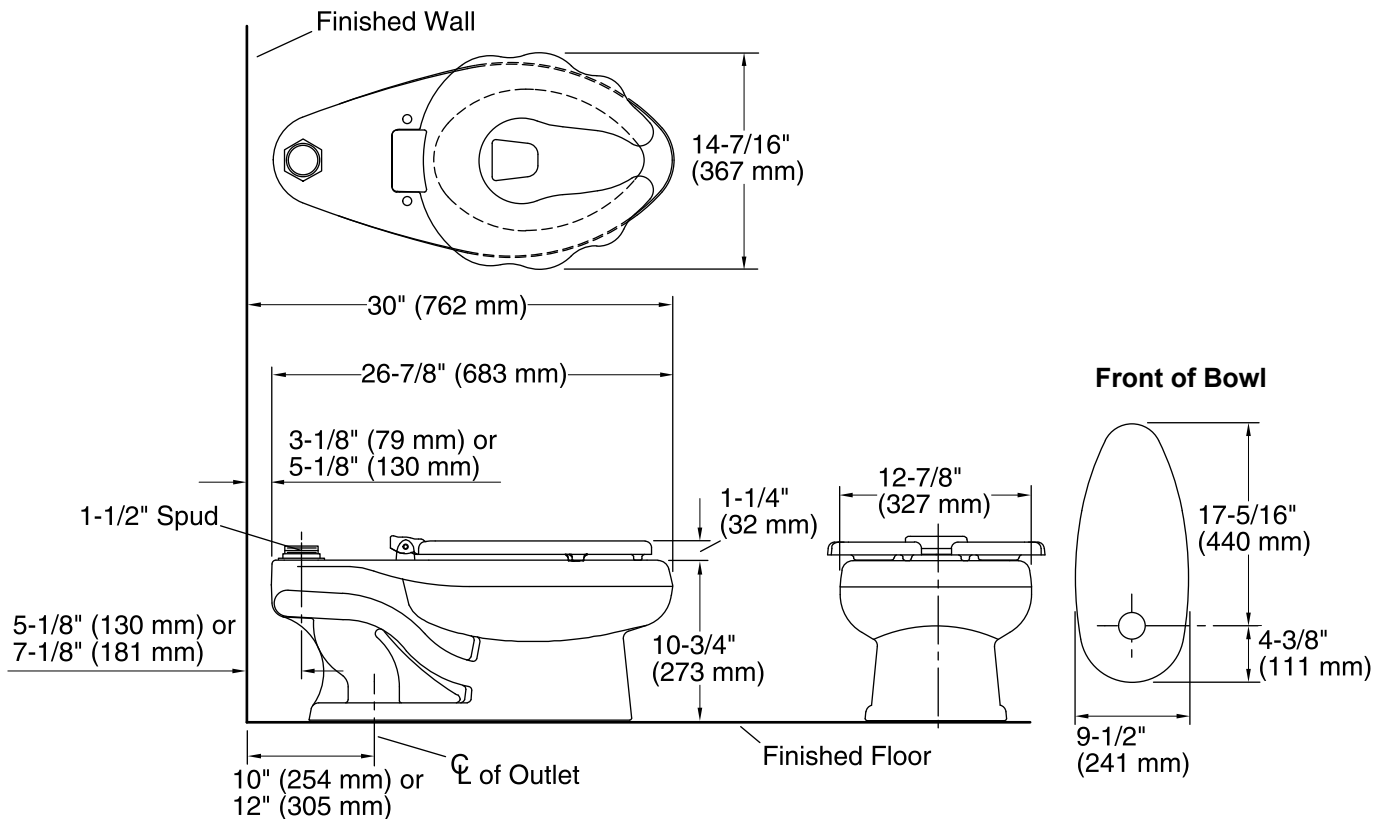
See website for detailed warranty information.

Available Color/Finishes

Color tiles intended for reference only.

Color	Code	Description
-------	------	-------------

	0	White
--	---	-------



Technical Information

All product dimensions are nominal.

Toilet type:	Flushometer, Floor-mount
Waste Outlet:	Floor
Bowl shape:	Elongated front
Flush type:	Flush Valve
Spud size:	1-1/2", Inlet, Top
Trap passageway:	2-1/8" (54 mm)
Water surface size:	12-3/8" x 10-1/8" (314 mm x 257 mm)
Rim to water surface:	4-1/4" (108 mm)
Rough-in:	10" or 12" (254 or 305 mm)
Seat-mounting holes:	5-1/2" (140 mm)

Fixture Supply Requirements

Min static pressure:	35 psi (241.3 kPa)
Max static pressure:	80 psi (551.6 kPa)
Min flowing pressure:	25 psi (172.4 kPa)
Min flow rate:	25 gpm (94.6 lpm)

Notes

- Install this product according to the installation instructions.
- Refer to manufacturer and local codes for flush valve requirements.