

### Features

- Two-piece toilet.
- Elongated bowl offers added room and comfort.
- Left-hand nested trip lever offers a choice of 1.1 or 1.6 gallons per flush (gpf).
- 2-1/8-inch glazed trapway.
- Coordinates with other products in the Wellworth collection.
- Combination consists of the the K-4198 bowl and the K-4458 tank.

### Technology

- Dual-flush technology allows you to choose between a full- or partial-flush.

### Installation

- Standard 12-inch rough-in
- Three-bolt installation.

### Water Conservation & Rebates

- WaterSense® toilets meet strict EPA flushing guidelines, including using at least 20 percent less water than 1.6-gallon toilets.
- Eligible for consumer rebates in some municipalities.

### Required Accessories

K-9237 Dual-flush Trip Lever

### Optional Accessories

K-4636 Toilet Seat  
K-4688 Toilet Seat  
K-4888 Elongated Toilet Seat  
K-7637 Angle Supply with Stop (single)

### Components

Product includes:

K-4198 Elongated Bowl  
K-4458 Dual-Flush Tank

Additional included component/s: Bowl, Tank, Tank cover, Trip lever, and Bolt cap accessory pack.



### Codes/Standards

ASME A112.19.2/CSA B45.1





EPA WaterSense®

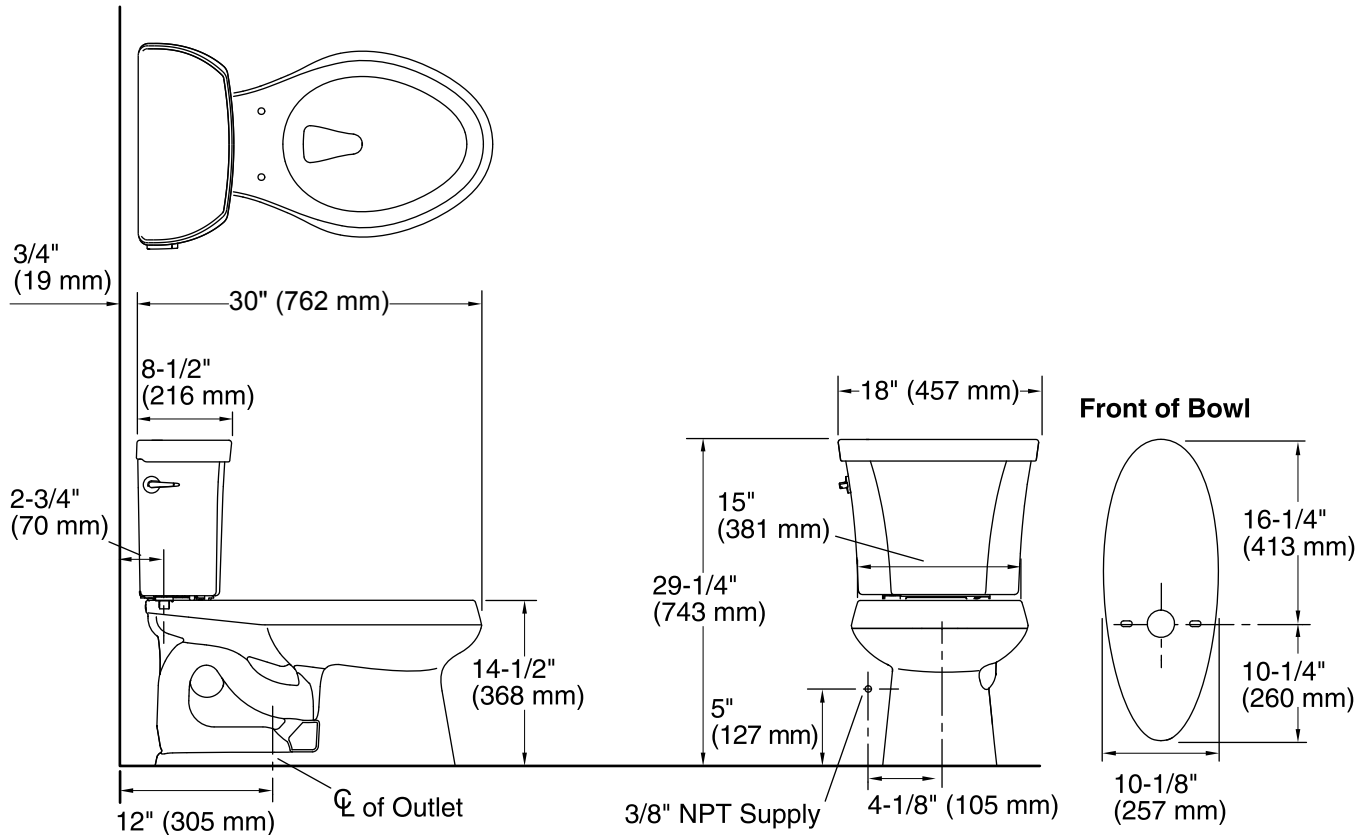
### KOHLER® One-Year Limited Warranty

See website for detailed warranty information.

### Available Color/Finishes

*Color tiles intended for reference only.*

Color	Code	Description
	0	White
	96	Biscuit
	47	Almond
	7	Black Black™



## Technical Information

All product dimensions are nominal.

Toilet type: Two-piece, Floor-mount

Waste Outlet: Floor

Bowl shape: Elongated front

Flush type: Class Five

Trap passageway: 2-1/8" (54 mm)

### Water Consumption

Full: 1.6 gpf (6 lpf)

Reduced: 1.1 gpf (4.3 lpf)

Water surface size: 11-1/4" x 8-1/4" (286 mm x 210 mm)

Rim to water surface: 5-1/4" (133 mm)

Rough-in: 12" (305 mm)

Seat-mounting holes: 5-1/2" (140 mm)

## Notes

Install this product according to the installation instructions.