

KOHLER®

Vault™ Top-mount/Under-mount Kitchen Sink K-3839-4

Features

- 36-inch minimum base cabinet width.
- 18-gauge stainless steel.
- Top-mount or under-mount.
- Large/medium bowls.
- Smart Divide® lowered divider.
- Three faucet holes with one accessory hole to the right.
- Includes left bottom bowl rack.
- Includes installation hardware.
- Includes SilentShield® sound-absorption technology.
- 33" (838 mm) x 22" (559 mm).

Optional Accessories

- K-6429 Utility Rack
- K-6434 Saddle Utility Rack
- K-6647 Sink Rack
- K-6667 Wood Cutting Board
- K-8801 Sink Strainer
- 1177161 Installation Clip Kit

Components

Product includes:

- K-6646 Sink Rack
- 1130570 Hardware Kit, Self-Rimming



Codes/Standards

ASME A112.19.3/CSA B45.4

Lifetime Limited Warranty for KOHLER® Stainless Steel Sinks

See website for detailed warranty information.

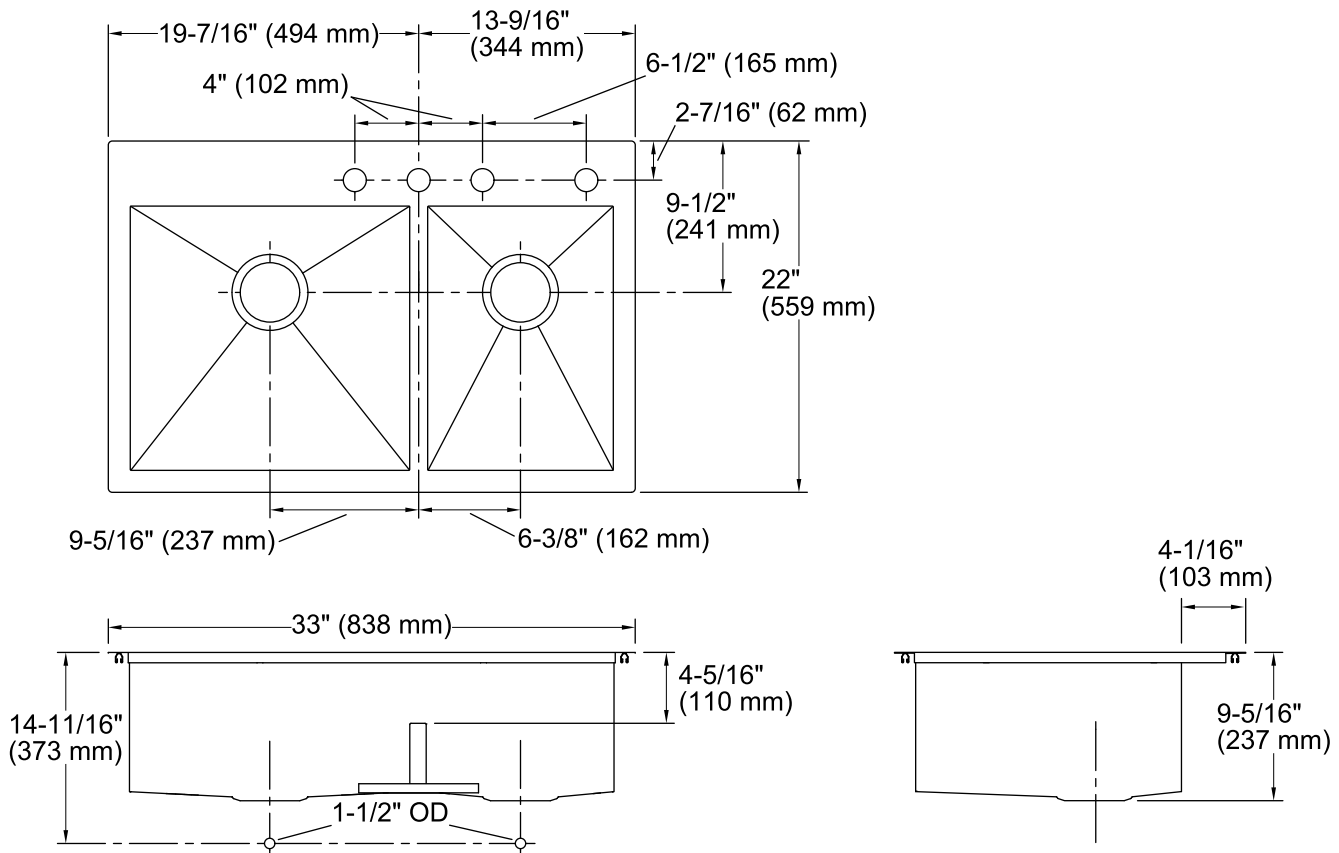
USA/Canada: 1-800-4KOHLER (1-800-456-4537)

Kohler Co. reserves the right to make revisions without notice to product specifications.

For the most current Specification Sheet, go to www.kohler.com.

10-3-2016 04:41

THE BOLD LOOK
OF **KOHLER®**



Technical Information

All product dimensions are nominal.

| | |
|-----------------------|---|
| Bowl configuration: | Offset |
| Installation: | Top-mount, Under-mount |
| Bowl area (Left) | Length: 17-1/2" (445 mm) Width: 16-9/16" (421 mm) Bowl depth: 9" (229 mm) Water depth: 4-11/16" (119 mm) |
| Bowl area (Right) | Length: 11-5/8" (295 mm) Width: 16-9/16" (421 mm) Bowl depth: 9" (229 mm) Water depth: 4-11/16" (119 mm) |
| Number of deck holes: | 4 |
| Faucet hole(s): | 1-7/16" (37 mm) |
| Drain hole: | 3-5/8" (92 mm) |
| Template: | 1130823-7, required, included |

Notes

Install this product according to the installation instructions.

Allow 3/4" (19 mm) clearance beyond the back of the bowl for the wood cutting board (optional accessory).