



**Vault™**

Top-mount/Under-mount Kitchen Sink

**K-3822-3**

### Features

- 27-inch minimum base cabinet width.
- 18-gauge stainless steel.
- Top-mount or under-mount.
- Medium single bowl.
- Three faucet holes.
- With SilentShield® sound-absorption technology.
- 25" (635 mm) x 22" (559 mm)

### Optional Accessories

- K-6429 Utility Rack
- K-6667 Wood Cutting Board
- K-8801 Sink Strainer
- 1177161 Installation Clip Kit

### Components

Product includes:

- K-6645
- 1130570 Hardware Kit, Self-Rimming



### Codes/Standards

ASME A112.19.3/CSA B45.4

### Lifetime Limited Warranty for KOHLER® Stainless Steel Sinks

See website for detailed warranty information.

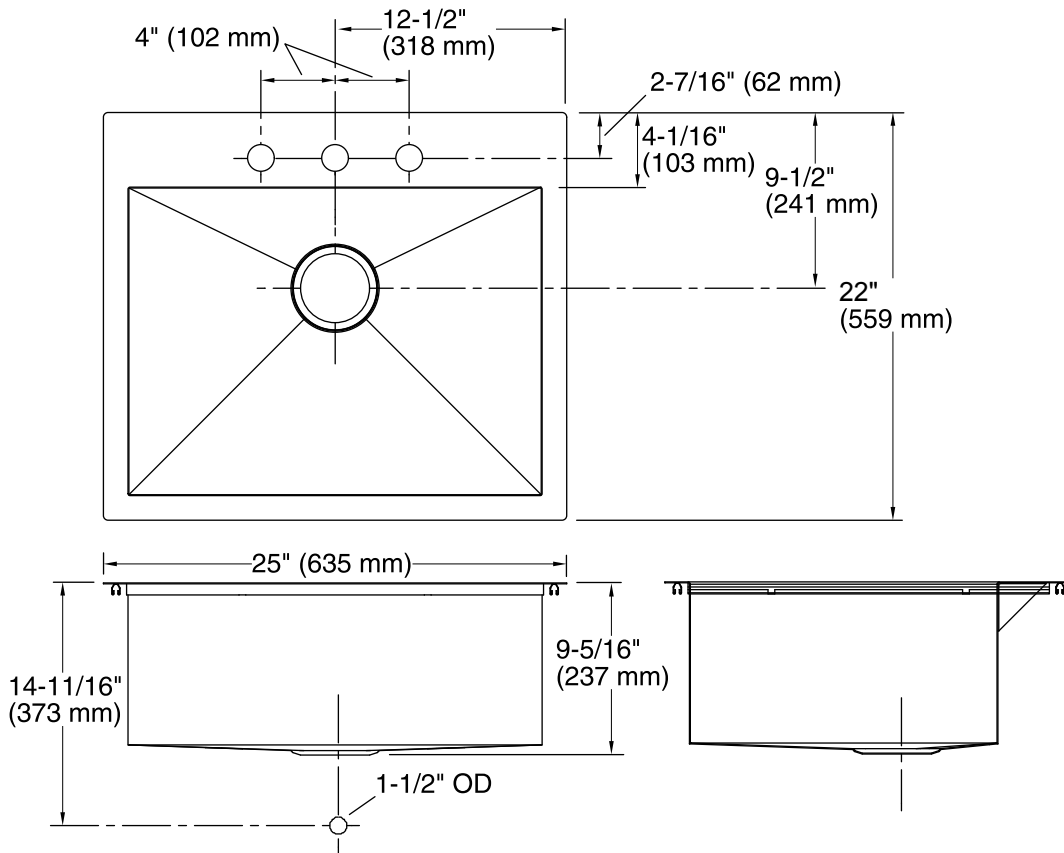
USA/Canada: 1-800-4KOHLER (1-800-456-4537)

Kohler Co. reserves the right to make revisions without notice to product specifications.

For the most current Specification Sheet, go to [www.kohler.com](http://www.kohler.com).

9-1-2015 02:20

THE BOLD LOOK  
OF **KOHLER®**



### Technical Information

All product dimensions are nominal.

Bowl configuration: Single

Installation: Top-mount, Under-mount

Bowl area (Only) Length: 22-1/4" (565 mm)  
Width: 16-9/16" (421 mm)  
Water depth: 9" (229 mm)

Number of deck holes: 3

Faucet hole(s): 1-7/16" (37 mm)

Drain hole: 3-7/8" (98 mm)

Template: Top-mount/Under-mount, 1130822-7,  
required, included

### Notes

Install this product according to the installation guide.

Allow 3/4" (19 mm) clearance beyond the back of the bowl for the wood cutting board (optional accessory).