



Chef inspired collection™ Stages™

Under-mount Kitchen Sink

K-3761

Features

- 48-inch minimum base cabinet width.
- 16-gauge stainless steel.
- Under-mount.
- Single compartment with wet surface work area.
- With SilentShield® sound-absorption technology.
- 45" (1143 mm) x 18-1/2" (470 mm)

Optional Accessories

K- 8801 Sink Strainer

Components

Product includes:

- K- 6231 Flip Tray
- K- 6232 Cutting Board
- K- 6233 Sink Rack
- K- 6235 Prep Bowls
- K- 6236 Accessory Storage Rack
- 91915 Hardware Kit
- K- 6230 Utensil Tray



Codes/Standards

ASME A112.19.3/CSA B45.4

Lifetime Limited Warranty for KOHLER® Stainless Steel Sinks

See website for detailed warranty information.

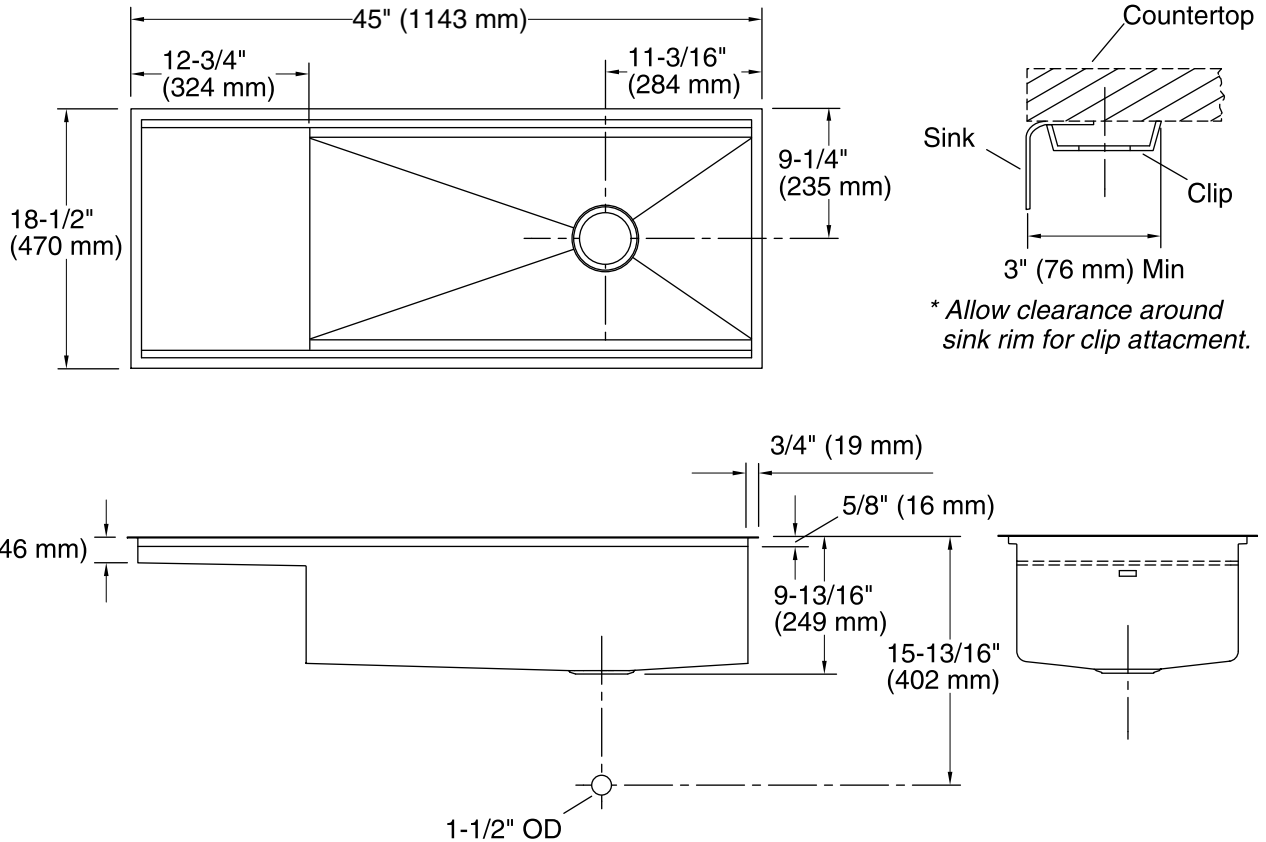
USA/Canada: 1-800-4KOHLER (1-800-456-4537)

Kohler Co. reserves the right to make revisions without notice to product specifications.

For the most current Specification Sheet, go to www.kohler.com.

12-22-2015 04:22

THE BOLD LOOK
OF **KOHLER**®



Technical Information

All product dimensions are nominal.

Bowl configuration:	Single
Installation:	Under-mount
Bowl area	Length: 43-1/2" (1105 mm) Width: 17" (432 mm) Bowl depth: 9-1/2" (241 mm)
Drain hole:	3-5/8" (92 mm)
Template:	Under-mount, 1109794-7, required, included

Notes

Install this product according to the installation guide.

Allow a minimum of 3" (76 mm) clearance around the sink rim for clip attachment.