

KOHLER®

Ceramic/Impressions® Vitreous Top and Basin Bathroom Sink K-2898-1

Features

- Vitreous China
- Integrated top and bowl
- With overflow
- Single faucet hole
- 61" (1549 mm) x 22-3/8" (568 mm)



Codes/Standards

ASME A112.19.2/CSA B45.1

KOHLER® One-Year Limited Warranty

See website for detailed warranty information.

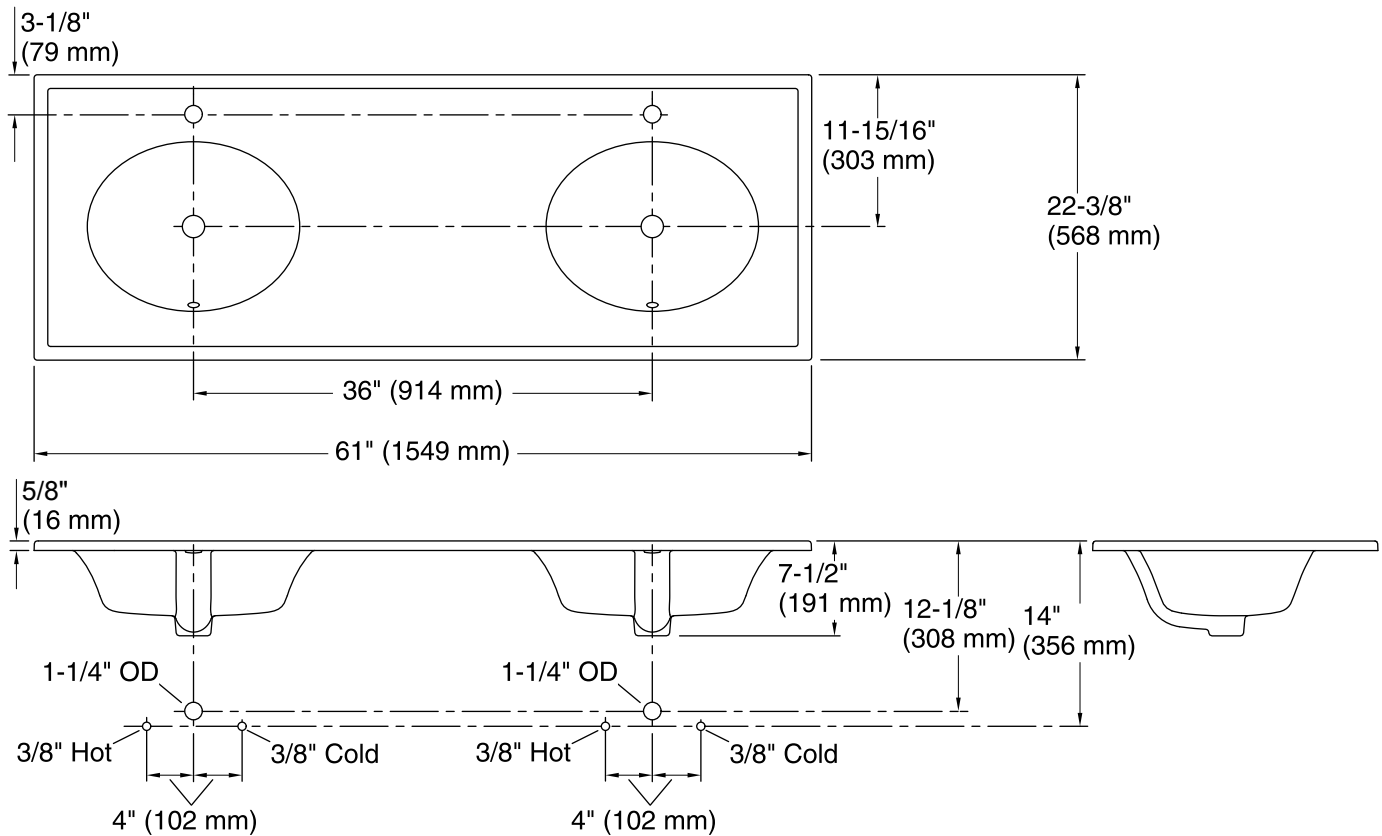
USA/Canada: 1-800-4KOHLER (1-800-456-4537)

Kohler Co. reserves the right to make revisions without notice to product specifications.

For the most current Specification Sheet, go to www.kohler.com.

2-23-2016 03:37

THE BOLD LOOK
OF **KOHLER**®



Technical Information

All product dimensions are nominal.

Bowl configuration: Double equal

Installation: Vanity top

Bowl area (Left): Length: 17" (432 mm)
Width: 13-3/8" (340 mm)
Bowl depth: 5-1/2" (140 mm)
Water depth: 4" (102 mm)

Bowl area (Right): Length: 17" (432 mm)
Width: 13-3/8" (340 mm)
Bowl depth: 5-1/2" (140 mm)

Number of deck holes: 1

Faucet hole(s): 1-3/8" (35 mm)

Drain hole: 1-3/4" (44 mm)

Notes

Install this product according to the installation guide.

This sink is designed to be installed as an integrated vanity top to a KOHLER or standard vanity.